

RoHS 2 Compliant

# iServer MicroServer™



# User's Guide

Shop on line at

**omega.com**®

Ω OMEGA®

[omega.com](http://omega.com)

e-mail: [info@omega.com](mailto:info@omega.com)

For Latest Product Manuals

[omegamannual.info](http://omegamannual.info)

## EIT-D, EIT-W, EIT-PCB

Serial to Ethernet and Internet



OMEGAnet® Online Service  
omega.com

Internet e-mail  
info@omega.com

### Servicing North America:

**U.S.A.:** Omega Engineering, Inc., One Omega Drive, P.O. Box 4047  
ISO 9001 Certified Stamford, CT 06907-0047 USA  
Toll Free: 1-800-826-6342 TEL: (203) 359-1660  
FAX: (203) 359-7700 e-mail: info@omega.com

**Canada:** 976 Berar  
Laval (Quebec), H7L 5A1, Canada  
Toll-Free: 1-800-826-6342 TEL: (514) 856-6928  
FAX: (514) 856-6886 e-mail: info@omega.ca

### For immediate technical or application assistance:

**U.S.A. and Canada:** Sales Service: 1-800-826-6342 / 1-800-TC-OMEGA®  
Customer Service: 1-800-622-2378 / 1-800-622-BEST®  
Engineering Service: 1-800-872-9436 / 1-800-USA-WHEN®  
**Mexico/  
Latin America:** TEL: 001 (203) 359-1660 FAX: 001 (203) 359-7700  
e-mail: espanol@omega.com

### Servicing Asia:

**China:** 1698 Yi Shan Road, Unit 102  
Min Hang District  
Shanghai, China 201103 P.R.C.  
Hotline: 800 819 0559 / 400 619 0559  
e-mail: info@cn.omega.com

### Servicing Europe:

**Benelux:** Toll-Free: 0800 099 3344 TEL: +31 20 347 21 21  
FAX: +31 20 643 46 43 e-mail: sales@omegaeng.nl

**Czech Republic:** Frystatska 184  
733 01 Karviná, Czech Republic  
TEL: +420-59-6311899 FAX: +420-59-6311114  
e-mail: info@omegashop.cz

**France:** Toll-Free: 0805 541 038 TEL: 01 57 32 48 17  
FAX: 01 57 32 48 18 e-mail: esales@omega.fr

**Germany/ Austria:** Daimlerstrasse 26  
D-75392 Deckenpfronn, Germany  
Toll-Free: 0800 8266342 TEL: +49 (0) 7056 9398-0  
FAX: +49 (0) 7056 9398-29 e-mail: info@omega.de

**United Kingdom:** OMEGA Engineering Ltd.  
ISO 9001 Certified One Omega Drive, River Bend Technology Centre, Northbank  
Irlam, Manchester M44 5BD United Kingdom  
Toll-Free: 0800-488-488 TEL: +44 (0) 161 777-6611  
FAX: +44 (0) 161 777-6622 e-mail: sales@omega.co.uk

---

It is the policy of OMEGA Engineering, Inc. to comply with all worldwide safety and EMC/EMI regulations that apply. OMEGA is constantly pursuing certification of its products to the European New Approach Directives. OMEGA will add the CE mark to every appropriate device upon certification.

The information contained in this document is believed to be correct, but OMEGA accepts no liability for any errors it contains, and reserves the right to alter specifications without notice.

**WARNING:** These products are not designed for use in, and should not be used for, human applications.

---

It is the policy of OMEGA to comply with all worldwide safety and EMC/EMI regulations that apply. OMEGA is constantly pursuing certification of its products to the European New Approach Directives. OMEGA will add the mark to every appropriate device upon certification.

The information contained in this document is believed to be correct, but OMEGA Engineering, Inc. accepts no liability for any errors it contains, and reserves the right to alter specifications without notice.

**WARNING:** These products are not designed for use in, and should not be used for, patient-connected applications.



This device is marked with the international caution symbol. It is important to read the Setup Guide before installing or commissioning this device as the guide contains important information relating to safety and EMC.

## TABLE OF CONTENTS

<b>Part 1: Introduction</b> .....	<b>2</b>
1.1 Safety and EMC Considerations .....	2
1.2 Before You Begin .....	2
1.3 Description .....	3
<b>Part 2: Hardware</b> .....	<b>4</b>
2.1 Dimensions .....	4
2.2 Mounting .....	5
2.2.1 Mounting -- Wall Mount iServer .....	5
2.2.2 Mounting -- DIN Rail iServer .....	6
2.2.2.1 Removal from a DIN Rail .....	6
2.3 Parts of the iServer Unit .....	8
2.4 Serial Communication Interfaces .....	9
2.4.1 Wiring Interface - Wall Mount iServer .....	10
2.4.2 Wiring Interface - DIN Rail iServer .....	11
2.4.3 Wiring Interface - Embedded PCB iServer .....	12
2.4.4 Wiring RS485 Interface - Wall Mount iServer .....	13
2.4.5 Wiring RS485 Interface - DIN Rail iServer .....	15
2.5 Network Communication Interfaces .....	18
2.5.1 10/100BASE-T RJ-45 Pinout .....	18
2.5.2 Connecting iServer to PC/Hub/Switch/Router .....	18
<b>Part 3: Network Configuration</b> .....	<b>19</b>
3.1 Network Protocols .....	19
3.2 Ethernet (MAC) Address .....	19
3.3 DHCP .....	20
3.4 DNS .....	20
3.5 IP Address .....	20
3.6 Port Number .....	21
<b>Part 4: Operations</b> .....	<b>22</b>
4.1 Default IP Address .....	22
4.2 iConnect Software .....	23
4.3 Assigning an IP Address Using Serial Port .....	25
4.4 Access and Configuration Using a Web Browser .....	26
4.4.1 Overview .....	27
4.4.2 Network .....	28
4.4.3 Serial .....	30
4.4.3.1 Serial Port .....	30
4.4.3.2 Network-to-Serial .....	32
4.4.3.3 Packing Techniques .....	33
4.4.3.4 Multi-host Connection .....	35
4.4.4 I/O Pins .....	36
4.4.4.1 I/O Pins for RS232 Models .....	36
4.4.4.2 I/O Pins for RS485 Models .....	36

4.4.5	Management	38
4.4.5.1	Management - Email SNMP	38
4.4.5.2	Management - Alarm 1 - 5	39
4.4.5.2.1	Sending Txt Messages to a Cell Phone	41
4.4.6	Security	41
4.4.7	Device Query	42
4.4.8	Device Setup	43
4.4.8.1	Device Parameters	43
4.4.9	Readings	44
4.4.10	Terminal	45
4.4.11	System	45
4.4.12	Diagnostics	46
4.4.12.1	Diagnostics - Serial Port	46
4.4.12.2	Diagnostics - Ethernet Port	47
4.4.12.3	Diagnostics - Ping	47
4.5	Telnet Setup	48
4.6	HTTPget Program	52
4.7	ARP Protocol	53
4.8	Remote Access (Tunneling)	54
4.8.1	Remote iServer	55
4.8.2	Local iServer	56
4.8.3	Tunneling Troubleshooting	58
4.9	iPORT, COM Port Redirector	58
4.9.1	iPORT Overview	58
4.9.2	iPORT Configurations	59
4.10	Mail Notifier Software	62
4.10.1	Mail Notifier Installation	62
4.10.2	Program Options Setup and Configuration	63
4.10.3	Device Setting Setup and Configuration	64
4.10.4	Sending Txt Messages to a Cell Phone	65
4.11	iLog Software	65
Part 5: Specifications		67
Part 6: Factory Preset Values		68
Appendix A	Glossary	69
Appendix B	IP Address	70
Appendix C	IP Netmask	71
Appendix D	ASCII Chart	72
	ASCII Chart Control Codes	73
Appendix E	iLog Error Messages	74

## LIST OF FIGURES:

Figure 1.1	Accessing Devices Over the Ethernet .....	3
Figure 2.1	Dimensions - Wall Mount iServer .....	4
Figure 2.2	Dimensions - DIN Rail iServer .....	4
Figure 2.3	Dimensions - Embedded PCB iServer .....	5
Figure 2.4	Mounting - Wall Mount iServer .....	5
Figure 2.5	Mounting - DIN Rail iServer .....	6
Figure 2.6	Removal - DIN Rail iServer .....	6
Figure 2.7	Mounting Spacing - DIN Rail iServer .....	7
Figure 2.8	Parts of the iServer Unit .....	8
Figure 2.9	Embedded PCB iServer J16 and J17 Serial Pin Locations .....	12
Figure 2.10	Multi-point, HALF-Duplex RS485 Wiring - Wall Mount iServer ..	13
Figure 2.11	Multi-point, HALF-Duplex RS485 Wiring - Wall Mount - DB9 .....	14
Figure 2.12	Multi-point, FULL-Duplex RS485 Wiring - Wall Mount iServer ..	15
Figure 2.13	Multi-point, HALF-Duplex RS485 Wiring - DIN Rail iServer .....	16
Figure 2.14	Multi-point, FULL-Duplex RS485 Wiring - DIN Rail iServer .....	17
Figure 2.15	RJ45 Pinout .....	18
Figure 3.1	Labeling .....	19
Figure 4.1	Pinging the iServer from a DOS Prompt .....	22
Figure 4.2	Assigning an IP Address using iConnect .....	23
Figure 4.3	Accessing the iServer's HOME Page .....	24
Figure 4.4	Pinging the iServer from a DOS Prompt .....	25
Figure 4.5	iServer LOGIN Page .....	26
Figure 4.6	LOGIN and ADMINISTRATOR Passwords .....	26
Figure 4.7	iServer OVERVIEW Page .....	27
Figure 4.8	iServer NETWORK Page .....	28
Figure 4.9	iServer SERIAL Page – Serial Port - RS232 .....	30
Figure 4.10	iServer SERIAL Page – Serial Port - RS485 .....	31
Figure 4.11	iServer SERIAL Page – Network to Serial .....	32
Figure 4.12	iServer SERIAL Page – Packing Techniques .....	31
Figure 4.13	iServer SERIAL Page – Multi-host Connection .....	35
Figure 4.14	iServer I/O PINS Page for RS232 Model - Wall Mount iServer .....	36
Figure 4.15	iServer I/O PINS Page for RS232 Model - DIN Rail iServer .....	36
Figure 4.16	iServer I/O PINS Page for RS485 Models .....	37
Figure 4.17	iServer MANAGEMENT Page – Email, SNMP .....	38
Figure 4.18	iServer MANAGEMENT Page – Alarm .....	39
Figure 4.19	iServer SECURITY Page .....	41
Figure 4.20	iServer DEVICE QUERY Page for RS485 .....	42
Figure 4.21	iServer DEVICE SETUP Page for RS485 .....	43
Figure 4.22	iServer DEVICE PARAMETERS Page for RS485 .....	44
Figure 4.23	iServer READINGS Page for RS485 .....	44
Figure 4.24	iServer TERMINAL Page .....	45
Figure 4.25	iServer SYSTEM Page .....	45
Figure 4.26	iServer DIAGNOSTICS Page .....	46
Figure 4.27	Tera Term Telnet Connection Screen .....	46
Figure 4.28a	Telnet Setup / EIT .....	48
Figure 4.28b	Telnet Setup / EIS .....	48

Figure 4.29a	Telnet Setup - EIT Standard Help Page .....	49
Figure 4.29a	Telnet Setup - EIS Compatible Help Page .....	49
Figure 4.30	ARP Commands and Responses .....	53
Figure 4.31a	Serial Tunneling.....	54
Figure 4.31b	Serial Tunneling - Embedded PCB iServer .....	54
Figure 4.32	Device-to-Device Communication.....	55
Figure 4.33	SERIAL - Multi-Host Connection .....	57
Figure 4.34	Direct Serial Connection .....	59
Figure 4.35a	Redirect Serial Connection.....	59
Figure 4.35b	Redirect Serial Connection - Embedded PCB iServer .....	59
Figure 4.36	iPORT Main Window.....	60
Figure 4.37	COM Port Window .....	60
Figure 4.38	iServer Mail Notifier Main Window .....	62
Figure 4.39	iServer Mail Notifier Profile Setup.....	63
Figure 4.40	iServer Mail Notifier Device Setting .....	64
Figure 4.41	iLog Software Logging Data for an iSeries .....	65

### LIST OF TABLES:

Table 2.1	Parts of iServer Unit.....	8
Table 2.2	Communication Interfaces .....	9
Table 2.3	RS232 DB9 Serial Port - Wall Mount iServer.....	10
Table 2.4	RS485 8 Position Serial Port - Wall Mount iServer.....	10
Table 2.5	RS485 DB9 Serial Port - Wall Mount iServer .....	10
Table 2.6	RS232 8 Position Connector - DIN Rail iServer .....	11
Table 2.7	RS485 8 Position Connector - DIN Rail iServer .....	11
Table 2.8	RS232 - Embedded PCB iServer .....	12
Table 2.9	RS485 - Embedded PCB iServer .....	12
Table 2.10	RS485 Half-Duplex Hookup - Wall Mount iServer .....	13
Table 2.11	RS485 Half-Duplex Hookup - Wall Mount iServer - DB9 .....	13
Table 2.12	RS485 Full-Duplex Hookup - Wall Mount iServer .....	14
Table 2.13	RS485 Half-Duplex Hookup - DIN Rail iServer .....	15
Table 2.14	RS485 Full-Duplex Hookup - DIN Rail iServer .....	16
Table 4.1	iLog Excel Applications .....	66
Table E-1	iLog Error Messages.....	74

## NOTES, WARNINGS and CAUTIONS

Information that is especially important to note is identified by following labels:

- **NOTE**
- **WARNING or CAUTION**
- **IMPORTANT**
- **TIP**



**NOTE:** Provides you with information that is important to successfully setup and use the iServer.



**CAUTION or WARNING:** Tells you about the risk of electrical shock.



**CAUTION, WARNING or IMPORTANT:** Tells you of circumstances or practices that can affect the instrument's functionality and must refer to accompanying documents.



**TIP:** Provides you helpful hints.

## **PART 1 INTRODUCTION**

### **1.1 Safety and EMC Considerations**

Refer to the Approval Section **EMC**

#### **Considerations**

- Whenever EMC is an issue, always use shielded cables.
- Never run signal and power wires in the same conduit.
- Use twisted-pair wires for signal connections.
- Install Ferrite Bead(s) on signal wires close to the instrument if EMC problems persist.



For compliance at 100 Mbps: use shielded cable, opposite end of cable must be grounded.

**Failure to follow all instructions and warnings may result in injury!**

### **1.2 Before You Begin**

**Inspecting Your Shipment:** Remove the packing slip and verify that you have received everything listed. Inspect the container and equipment for signs of damage as soon as you receive the shipment. Note any evidence of rough handling in transit. Immediately report any damage to the shipping agent. The carrier will not honor damage claims unless all shipping material is saved for inspection. After examining and removing the contents, save the packing material and carton in the event reshipment is necessary.

**Customer Service:** If you need assistance, please contact the Customer Service Department nearest you.

**Manuals, Software:** The latest Operation Manual as well as free configuration software (iConnect), datalogging software (iLog), and Mail Notifier are available at **the website listed on the cover page of this manual.**



### 1.3 Description

The iServer is a stand alone Ethernet Server designed to connect devices with serial interfaces to the Ethernet network using the TCP/IP protocol. It contains Ethernet and RS232/RS485 interfaces.

It can be purchased as a stand alone DIN Rail mounted unit (-D), as a bench/wall mount unit (-W) or as an PC Board (-PCB) for an Embedded iServer.

The standard features include:

- Use standard Web Browser, TCP connection, HTTPget DOS program or Telnet Simulation, for network connectivity.
- Install via RS232/RS485 serial port connection.
- Transfer data from RS232/RS485 serial interface to TCP/IP using built-in socket server.
- Use a standard home page or customize Web page for OEM applications.

The following example illustrates how you can hookup the devices with serial interface on the network using the iServer:

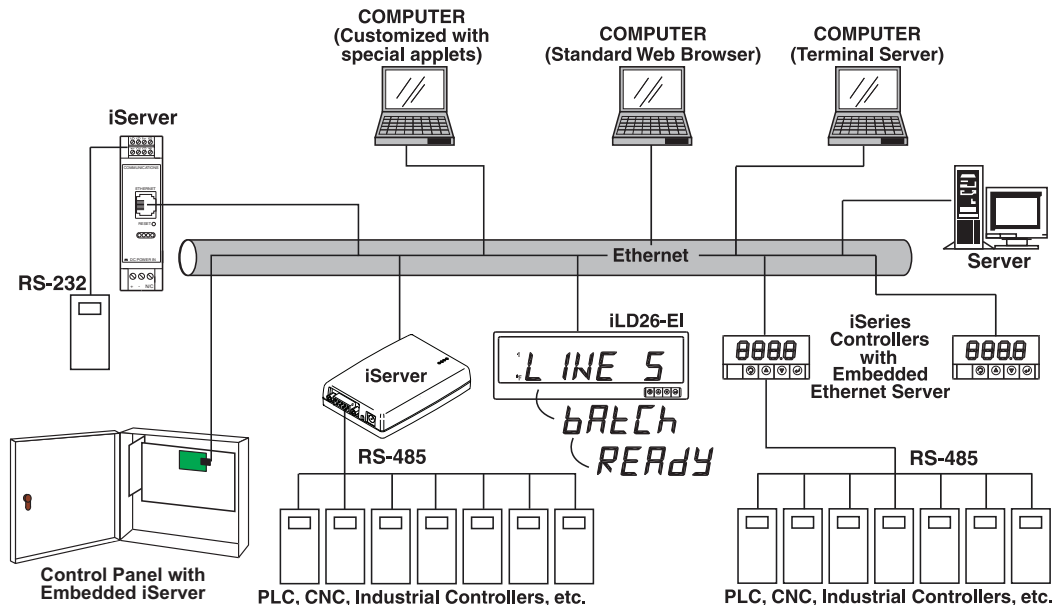
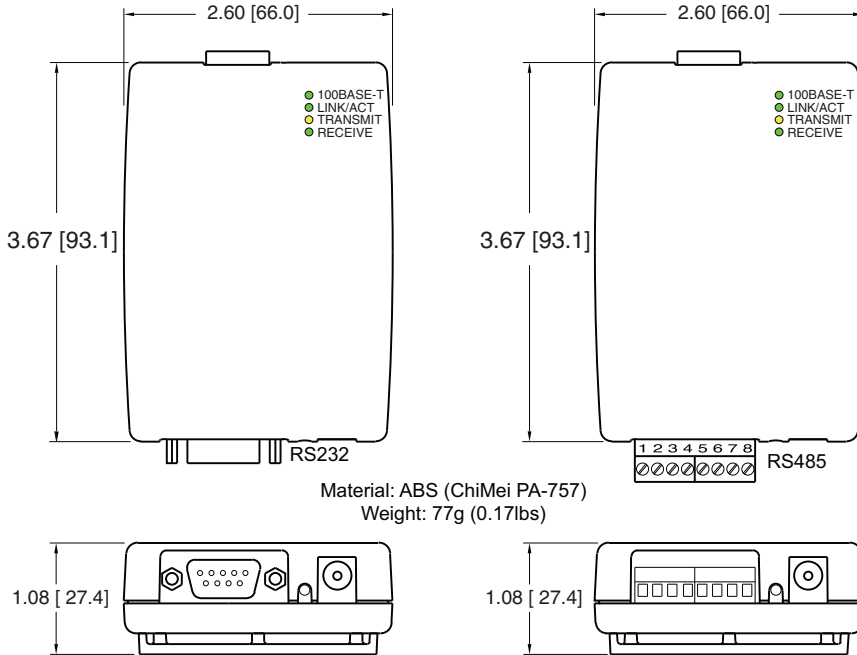


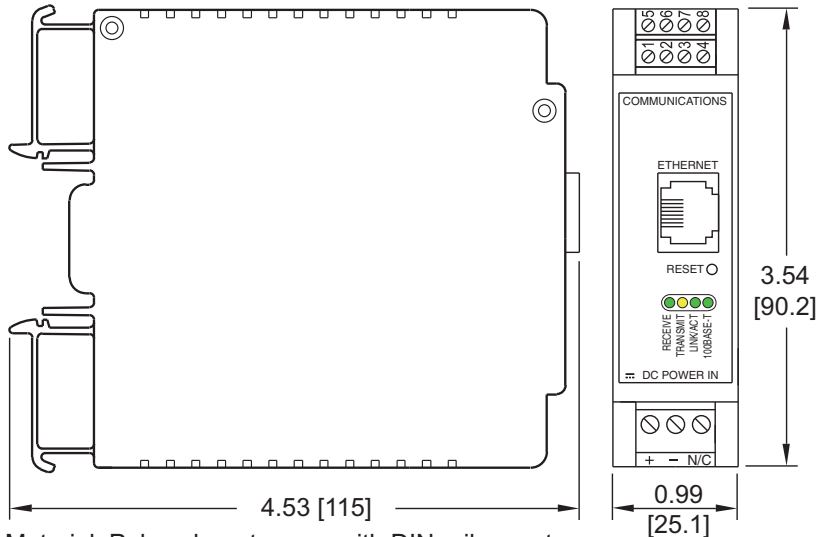
Figure 1.1 Accessing Devices Over the Ethernet

# PART 2 HARDWARE

## 2.1 Dimensions



**Figure 2.1 Dimensions - Wall Mount iServer**

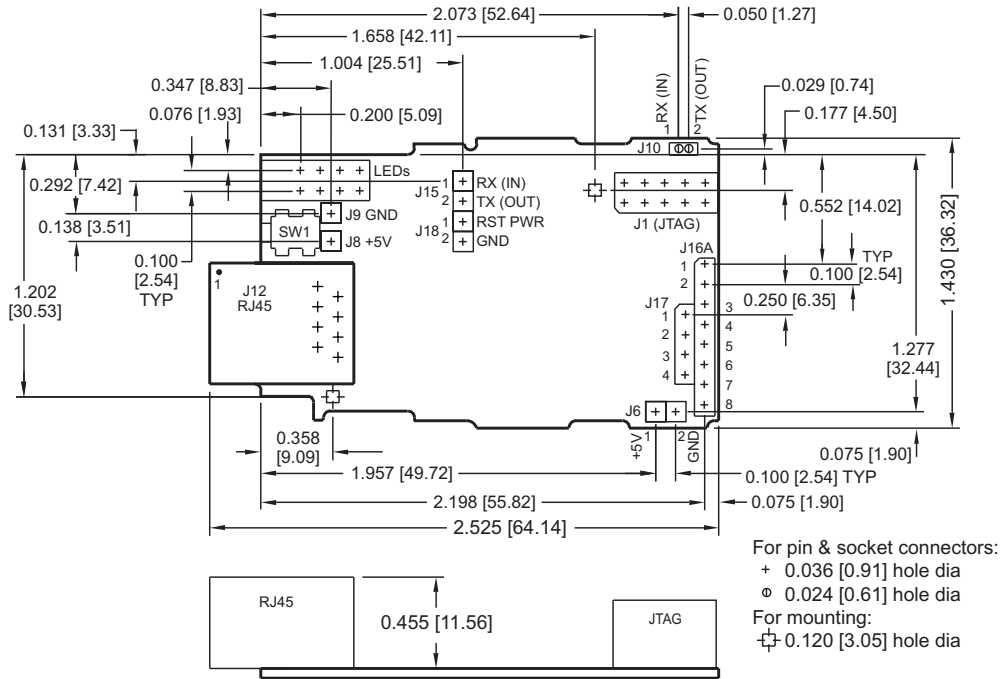


Material: Polycarbonate case with DIN rail mount  
Weight: 113 g (0.25 lbs)

**Note** Unit mounting should allow for adequate ventilation to ensure instrument does not exceed operating temperature rating.

**Figure 2.2 Dimensions - DIN Rail Mount iServer**

## 2.1 Dimensions (continued)



**Figure 2.3 Dimensions - Embedded PCB iServer**

## 2.2 Mounting

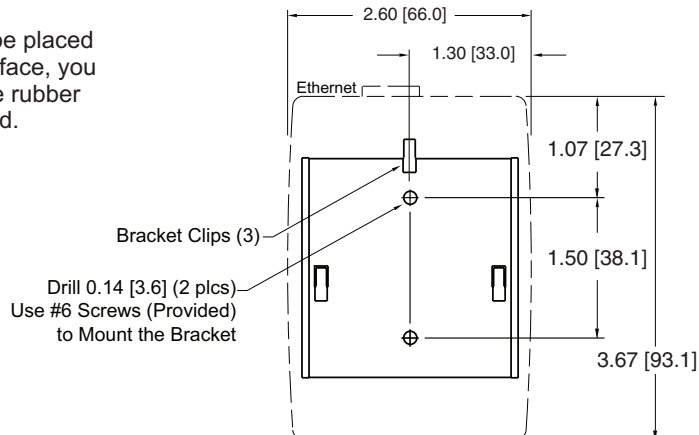
### 2.2.1 Mounting -- Wall Mount iServer

Position unit where required. Mark and drill the two #6 screw holes.

After bracket is mounted on the wall, align back of unit over the three bracket clips, once engaged, slide downward, the unit will snap in place.

**Note**

If unit is to be placed on a flat surface, you may use the rubber feet provided.



**Figure 2.4 Mounting - Wall Mount iServer**

## 2.2.2 Mounting -- DIN Rail iServer

To install unit onto DIN Rail:

- a) Tilt unit, position mounting slot onto DIN Rail, as shown.
- b) Push unit towards DIN Rail and it will snap into place.

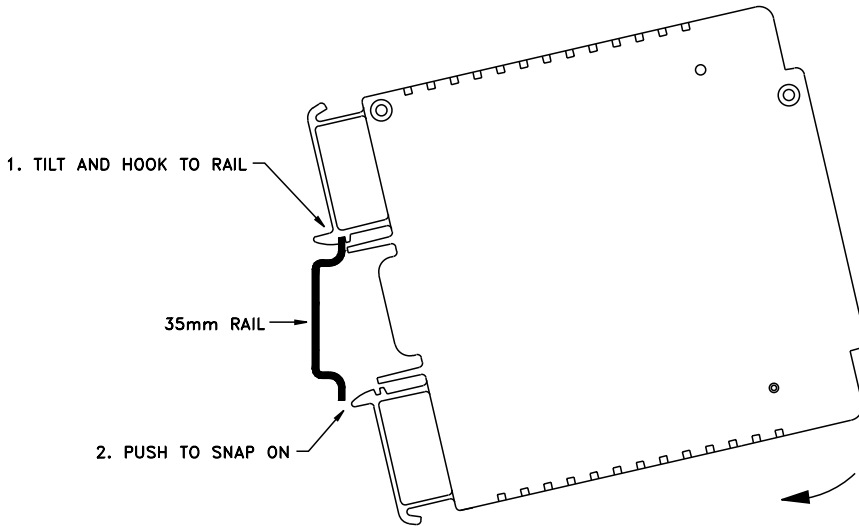


Figure 2.5 Mounting - DIN Rail iServer

### 2.2.2.1 Removal from a DIN Rail

- a) Insert flat screw-driver into tab and push downwards.
- b) Unit will detach from DIN Rail.

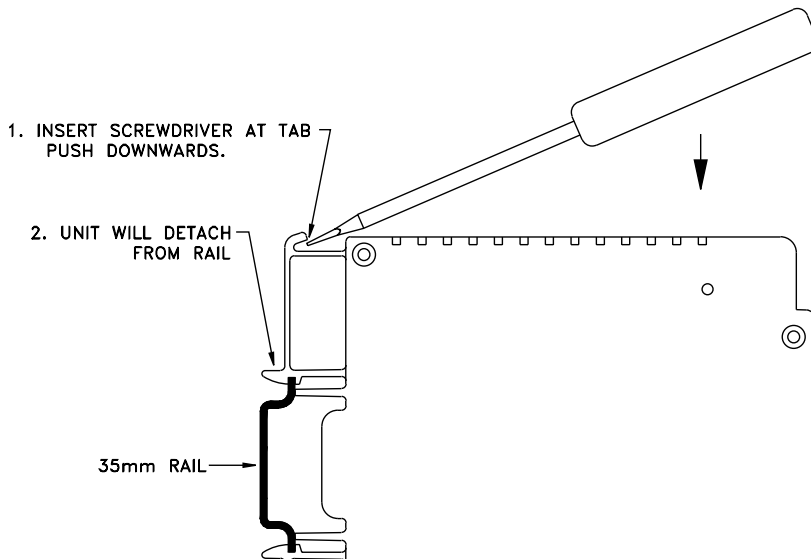


Figure 2.6 Removal - DIN Rail iServer

2.2.2 Mounting -- DIN Rail iServer (continued)

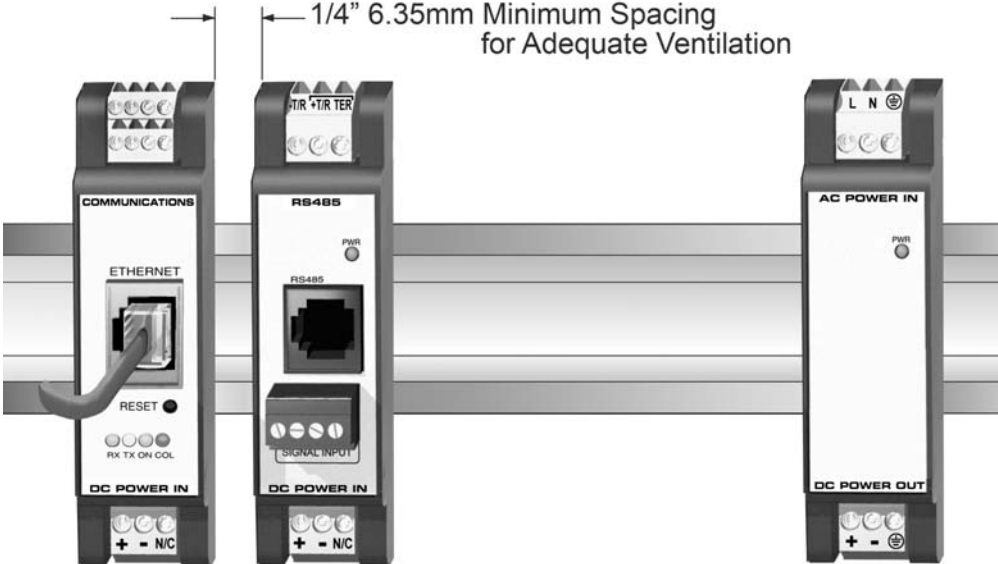
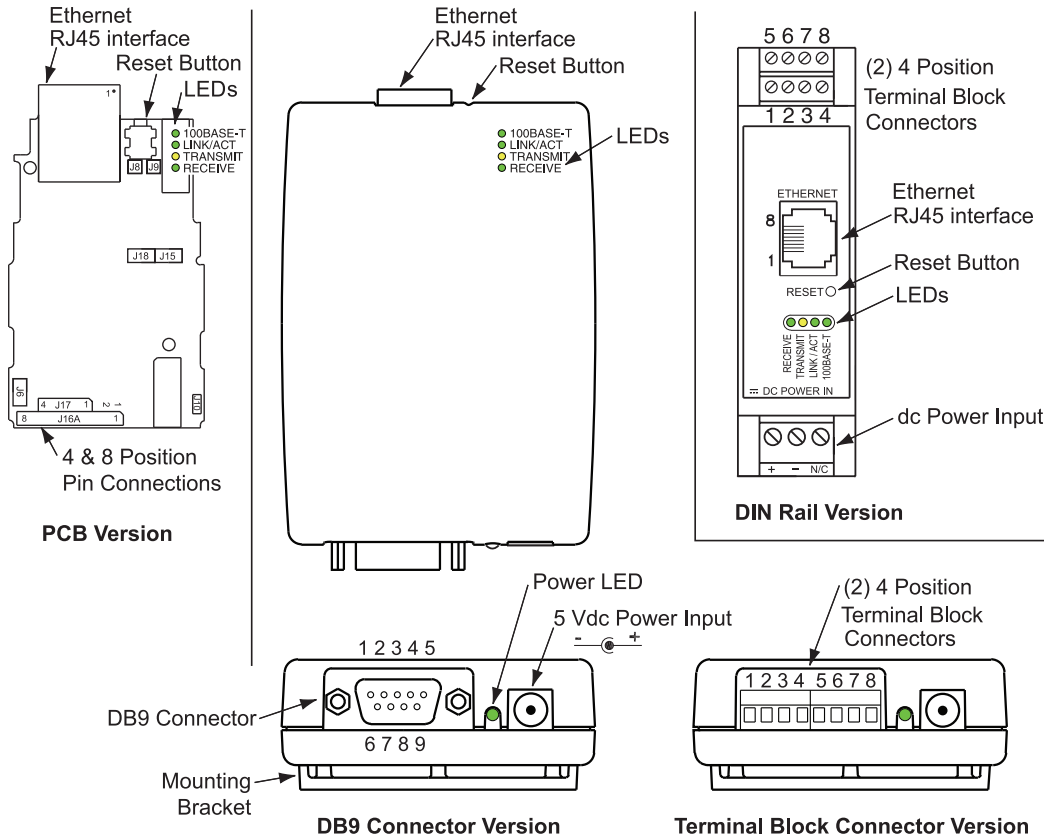


Figure 2.7 Mounting Spacing - DIN Rail iServer

## 2.3 Parts of the iServer Unit



**Figure 2.8 Parts of the iServer Unit**

**Table 2.1 Parts of iServer Unit**

<b>SERIAL</b>	DB9 male connector; or 2, four position terminal block connectors; or pin connector holes (for -PCB version)
<b>ETHERNET</b>	RJ45 interface for 10/100BASE-T connection
<b>RESET</b>	Button: Used for power resetting the iServer
<b>100BASE-T</b>	LED (Green) Solid: Indicates 100 Mbps. Off: Indicates 10 Mbps
<b>LINK/ACT</b>	LED (Green) Solid: Indicates good network link. Blinking: Indicates network activities (receiving or sending packets)
<b>TX/Transmit</b>	LED (Yellow) Blinking: Indicates transmitting data to the serial port
<b>RX/Receive</b>	LED (Green) Blinking: Indicates receiving data on the serial port
<b>POWER</b>	LED (Green) Solid: Indicates Power ON
<b>DC Power Supply Section:</b>	
<b>+</b>	Plus power supply wire connection (inside the plug for -W)
<b>-</b>	Minus power supply wire connection (outside the plug for -W)

## 2.4 Serial Communication Interfaces

Two communication interfaces are supported in the iServer: RS232 and RS485. These standards define the electrical characteristics of a communication network. The RS485 port of the iServer is fully compatible to use with RS485 instruments.

- The **RS232** standard (point-to-point) allows a single device to be connected to an iServer.

The iServer operates with full-duplex RS232 using eight wires:

Rx-receive, Tx-transmit, DTR, DSR, DCD, CTS, RTS and common ground wires.

RS232 cable length is limited to 50 feet.

- The **RS485** standard (multi-point) allows one or more devices (multi-dropped) to be connected to the iServer using a two-wire connection (half-duplex) +Rx/+Tx and -Rx/-Tx.

Use of RS485 communications allows up to 31 devices to connect to the iServer with cable length up to 4000 feet long.

**Note** Although the RS485 is commonly referred to as a "two wire" connection, the iServer also provides a ground/return shield connection to use as a common connection for EMI noise protection.

**Table 2.2** shows the differences between RS232 and RS485 communication interfaces.

**Table 2.2 Communication Interfaces**

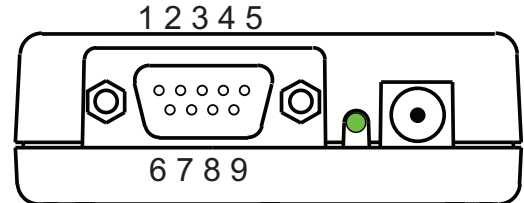
<b>Data Transmission Characteristics</b>	<b>RS232</b>	<b>RS485</b>
Transmission Mode	Single ended	Differential
Electrical connections	8 wire (for -W); 7 wire (for -D)	2 wire
Drivers per line	1 driver	32 drivers
Receivers per line	1 receiver	32 receiver
Maximum cable length	50 ft (15 meters)	4000 ft (1200 meters)

## 2.4.1 Wiring Interface - Wall Mount iServer

Table 2.3, Table 2.4 and Table 2.5 shows the signals and the direction of signals on the Serial Port.

**Table 2.3 RS232 DB9 Serial Port - Wall Mount iServer.**

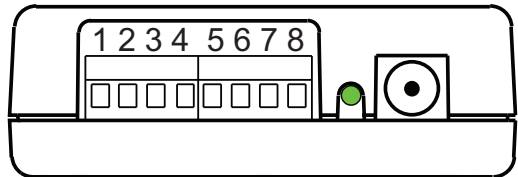
RS232 Wall Mount iServer		
DB9 Pin#	Signal	Direction
1	DCD	IN
2	Rx	IN
3	Tx	OUT
4	DTR	OUT
5	GND	--
6	DSR	IN
7	RTS	OUT
8	CTS	IN
9	I/O RS232 levels	IN/OUT



DB9 (DTE configuration) RS232 Serial Port

**Table 2.4 RS485 8 Position Serial Port - Wall Mount iServer**

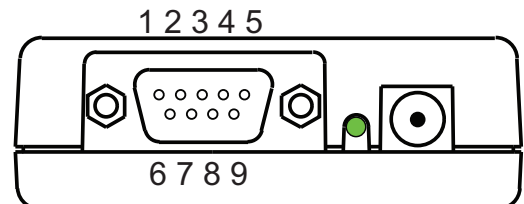
RS485 Wall Mount iServer		
Pin#	Signal	Direction
1	T-	OUT
2	R-	IN
3	GPIO 3	IN/OUT
4	R+	IN
5	GPIO 1	IN/OUT
6	GND	--
7	T+	OUT
8	GPIO 2	IN/OUT



Screw Terminal RS485 Serial Port

**Table 2.5 RS485 DB9 Serial Port - Wall Mount iServer**

RS485 Wall Mount iServer		
DB9 Pin#	Signal	Direction
1		
2	+Tx/+Rx	IN/OUT
3	-Tx/-Rx	IN/OUT
4		
5	GND	--
6		
7		
8		
9		



DB9 (DTE configuration) RS485 Serial Port

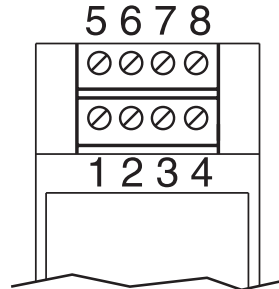


## 2.4.2 Wiring Interface - DIN Rail iServer

**Table 2.6** and **Table 2.7** shows the signals and the direction of signals on the Serial Port.

**Table 2.6 RS232 8 Position Connector - DIN Rail iServer**

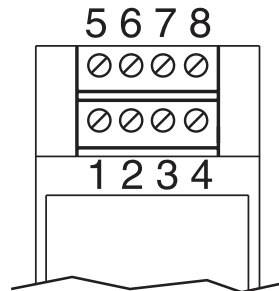
RS232 DIN Rail iServer		
Pin#	Signal	Direction
1	DSR	--
2	GND	--
3	Rx	IN
4	Tx	OUT
5	DCD	IN
6	RTS	OUT
7	DTR	OUT
8	CTS	IN



Screw Terminal RS232 Serial Port

**Table 2.7 RS485 8 Position Connector - DIN Rail iServer**

RS485 DIN Rail iServer		
Pin#	Signal	Direction
1	GPIO 1	IN/OUT
2	GND	--
3	R-	IN
4	T-	OUT
5	GPIO 2	IN/OUT
6	T+	OUT
7	GPIO 3	IN/OUT
8	R+	IN



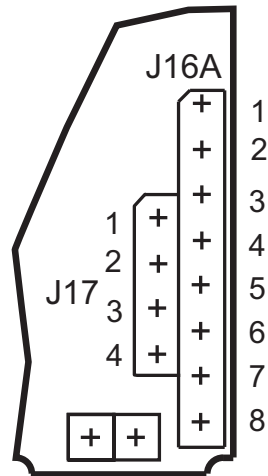
Screw Terminal RS485 Serial Port

### 2.4.3 Wiring Interface - Embedded PCB iServer

Table 2.8 and 2.9 shows the signals and the direction of signals on the Serial Pins.

**Table 2.8 RS232 - Embedded PCB iServer**

RS232 PCB iServer		
Pin#	Signal	Direction
J16-1	5V	--
J16-2	GND	--
J16-3	Tx	OUT
J16-4	Rx	IN
J16-5	CTS	IN
J16-6	RTS	OUT
J16-7	DCD	IN
J16-8	DTR	OUT
J17-1	DSR	IN
J17-2	INPUT 1	IN
J17-3	GPIO 2	IN/OUT
J17-4	GPIO 3	IN/OUT



**Figure 2.9**

**Embedded PCB iServer  
J16 and J17 Serial Pin Locations**

**Table 2.9 RS485 - Embedded PCB iServer**

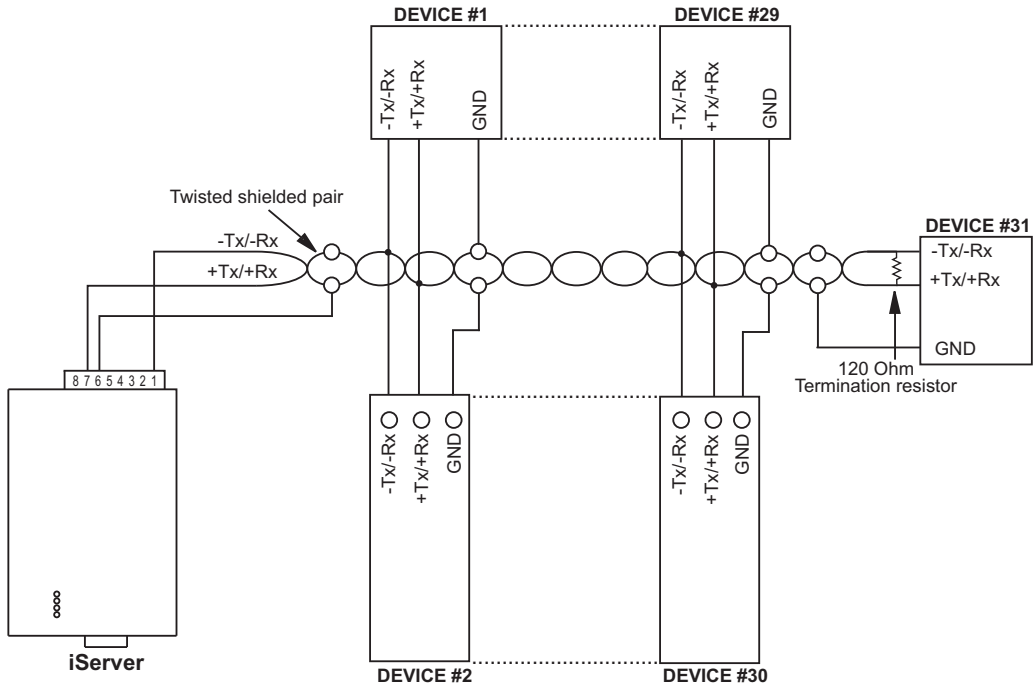
RS485 PCB iServer		
Pin#	Signal	Direction
J16-1	5V	--
J16-2	GND	--
J16-3	T-	OUT
J16-4	R-	IN
J16-5	R+	IN
J16-6	T+	OUT
J16-7	GPIO 2	IN/OUT
J16-8	GPIO 3	IN/OUT
J17-1	GPIO 4	IN/OUT
J17-2	GPIO 1	IN/OUT
J17-3	GPIO 5	IN/OUT
J17-4	GPIO 6	IN/OUT

## 2.4.4 Wiring RS485 Interface -- Wall Mount iServer - 8 Position Terminal Block

RS485 interface uses a two-wire communication system (one for transmitting and one for receiving) plus a common wire to connect to the shield of the cable. It is recommended to use a shielded cable with one twisted pair.

**Note** Use of twisted pair and shield will significantly improve noise immunity.

The figure below shows multi-point, half-duplex RS485 interface connections for the iServer.



**Figure 2.10 Multi-point, HALF-Duplex RS485 Wiring - Wall Mount iServer**

**Note** The termination resistance of 120 ohm has already been applied internally to the iServer, refer to the Glossary in **Appendix A** for more details.

**Table 2.10** shows RS485 half-duplex hookup between the iServer serial port and device(s) with RS485 communication interface.

**Table 2.10 RS485 HALF-Duplex - Wall Mount iServer**

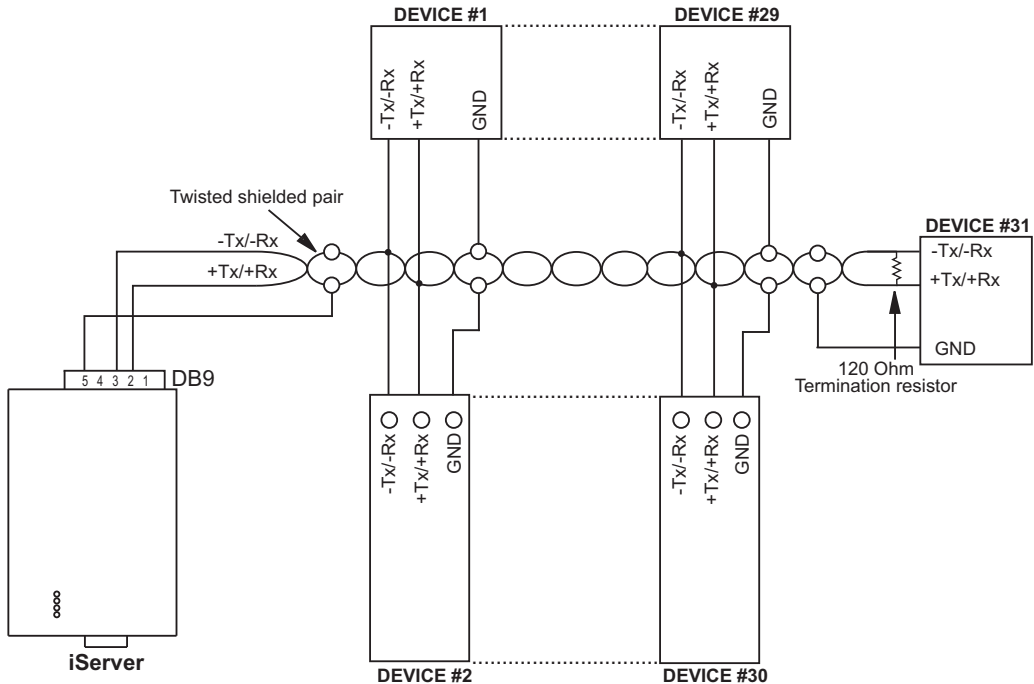
Pin#	iServer	DEVICE with RS485
7	+Tx/+Rx (+Transmit/+Receive)	+Tx/+Rx (+Transmit/+Receive)
1	-Tx/-Rx (-Transmit/-Receive)	-Tx/-Rx (-Transmit/-Receive)
6	RTN (Common GND)	GND (Common GND)

## 2.4.4 Wiring RS485 Interface -- Wall Mount iServer - DB9 Connector

RS485 interface uses a two-wire communication system (one for transmitting and one for receiving) plus a common wire to connect to the shield of the cable. It is recommended to use a shielded cable with one twisted pair.

**Note** Use of twisted pair and shield will significantly improve noise immunity.

The figure below shows multi-point, half-duplex RS485 interface connections for the iServer.



**Figure 2.11 Multi-point, HALF-Duplex RS485 Wiring - Wall Mount iServer**

**Note** The termination resistance of 120 ohm has already been applied internally to the iServer, refer to the Glossary in **Appendix A** for more details.

**Table 2.11** shows RS485 half-duplex hookup between the iServer serial port and device(s) with RS485 communication interface.

**Table 2.11 RS485 HALF-Duplex - Wall Mount iServer**

DB9 Pin#	iServer	DEVICE with RS485
2	+Tx/+Rx (+Transmit/+Receive)	+Tx/+Rx (+Transmit/+Receive)
3	-Tx/-Rx (-Transmit/-Receive)	-Tx/-Rx (-Transmit/-Receive)
5	RTN (Common GND)	GND (Common GND)

## 2.4.4 Wiring RS485 Interface -- Wall Mount iServer - 8 Position Terminal Block

RS485 interface can use two pairs of wire (four-wire) communication system (one pair for transmitting and one for receiving) plus a common wire to connect to the shield of the cable. It is recommended to use a shielded cable with one twisted pair.

**Note** Use of twisted pair and shield will significantly improve noise immunity.

The figure below shows multi-point, full-duplex RS485 interface connections for the iServer.

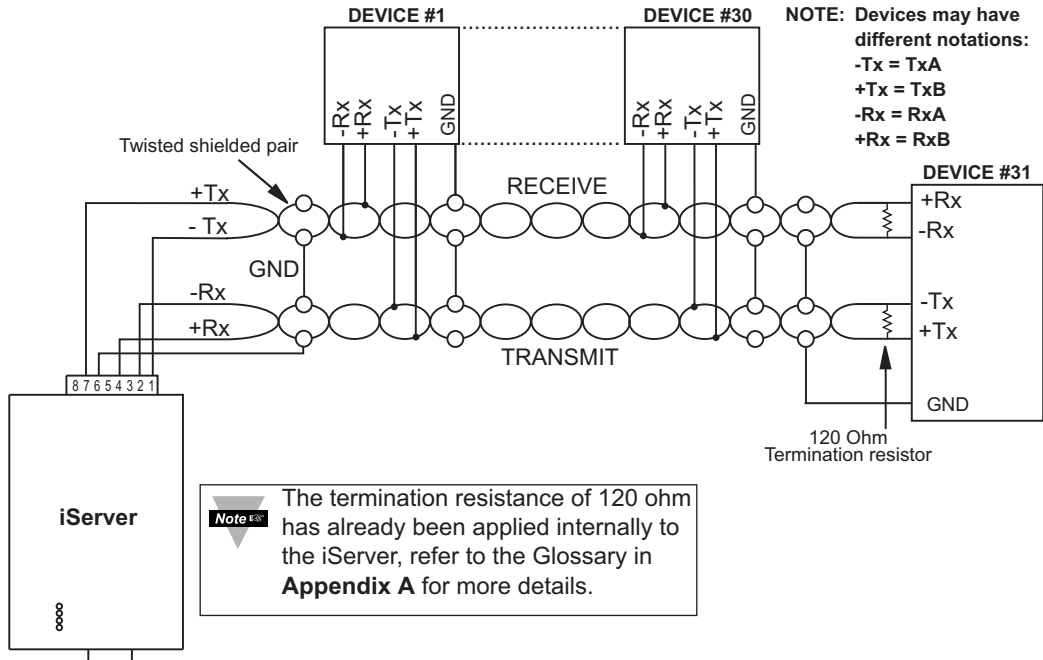


Figure 2.12 Multi-point, FULL-Duplex RS485 Wiring - Wall Mount iServer

Table 2.12 shows RS485 full-duplex hookup between the iServer serial port and device(s) with RS485 communication interface.

Table 2.12 RS485 FULL-Duplex - Wall Mount iServer

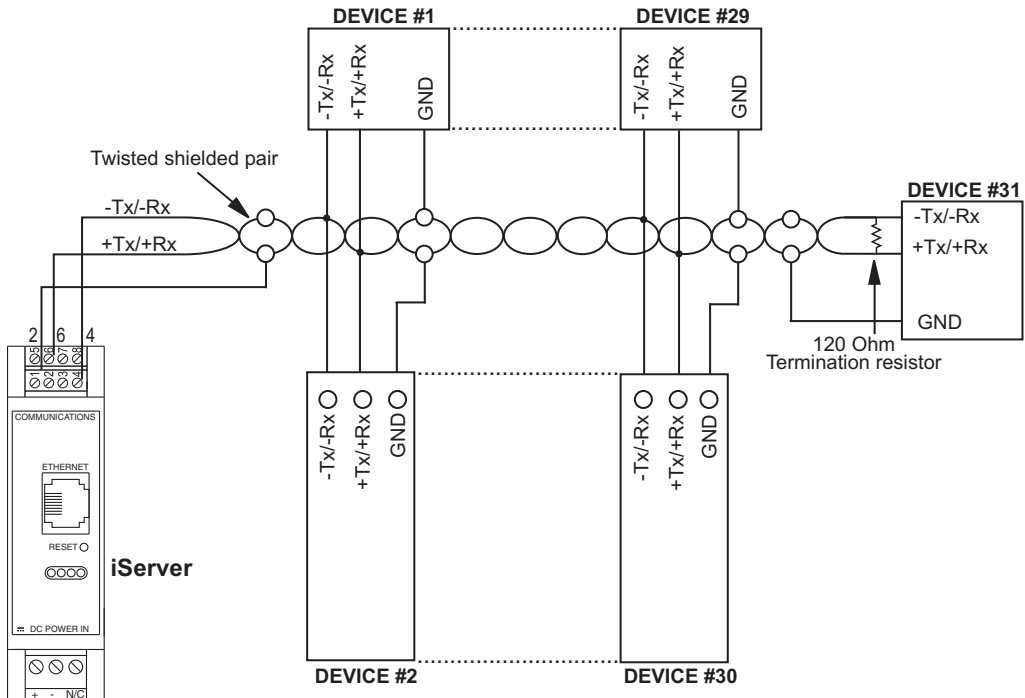
Pin#	iServer	DEVICE with RS485
7	+Tx (+Transmit)	+Rx (+Receive)
1	-Tx (-Transmit)	-Rx (-Receive)
4	+Rx (+ Receive)	+Tx (+Transmit)
2	-Rx (- Receive)	-Tx (-Transmit)
6	GND (Common Ground)	GND (Common Ground)

## 2.4.5 Wiring RS485 Interface -- DIN Rail iServer

RS485 interface uses a two-wire communication system (one for transmitting and one for receiving) plus a common wire to connect to the shield of the cable. It is recommended to use a shielded cable with one twisted pair.

**Note** Use of twisted pair and shield will significantly improve noise immunity.

The figure below shows multi-point, half-duplex RS485 interface connections for the iServer.



**Figure 2.13 Multi-point, HALF-Duplex RS485 Wiring - DIN Rail iServer**

**Note** The termination resistance of 120 ohm has already been applied internally to the iServer, refer to the Glossary in **Appendix A** for more details.

**Table 2.13** shows RS485 half-duplex hookup between the iServer serial port and device(s) with RS485 communication interface.

**Table 2.13 RS485 HALF-Duplex - DIN Rail iServer**

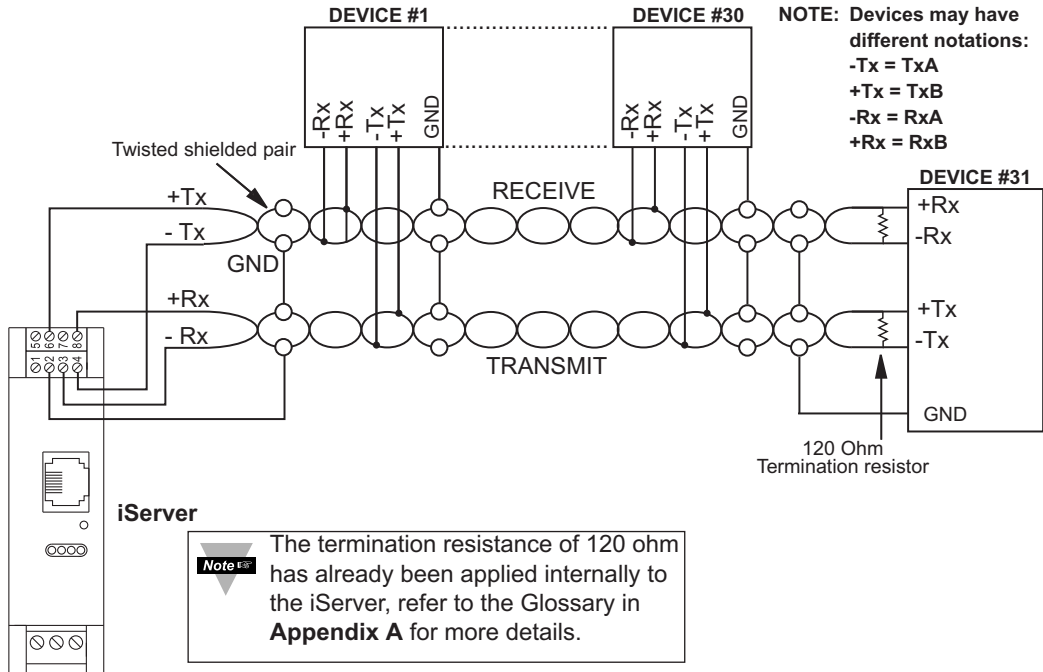
Pin#	iServer	DEVICE with RS485
6	+Tx/+Rx (+Transmit/+Receive)	+Tx/+Rx (+Transmit/+Receive)
4	-Tx/-Rx (-Transmit/-Receive)	-Tx/-Rx (-Transmit/-Receive)
2	RTN (Common GND)	GND (Common GND)

## 2.4.5 Wiring RS485 Interface -- DIN Rail iServer (continued)

RS485 interface can use two pairs of wire (four-wire) communication system (one pair for transmitting and one for receiving) plus a common wire to connect to the shield of the cable. It is recommended to use a shielded cable with one twisted pair.

**Note** Use of twisted pair and shield will significantly improve noise immunity.

The figure below shows multi-point, full-duplex RS485 interface connections for the iServer.



**Figure 2.14 Multi-point, FULL-Duplex RS485 Wiring - DIN Rail iServer**

**Table 2.14** shows RS485 full-duplex hookup between the iServer serial port and device(s) with RS485 communication interface.

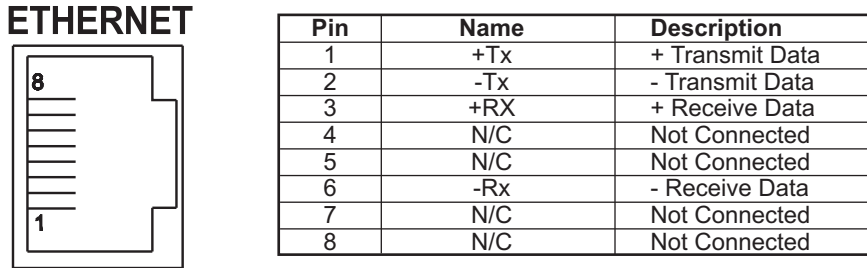
**Table 2.14 RS485 FULL-Duplex - DIN Rail iServer**

Pin#	iServer	DEVICE with RS485
6	+Tx (+Transmit)	+Rx (+Receive)
4	-Tx (-Transmit)	-Rx (-Receive)
8	+Rx (+ Receive)	+Tx (+Transmit)
3	-Rx (- Receive)	-Tx (-Transmit)
2	GND (Common Ground)	GND (Common Ground)

## 2.5 Network Communication Interfaces

### 2.5.1 10/100BASE-T RJ-45 Pinout

The 10/100BASE-T Ethernet network system is used in the iServer for network connectivity. The 10 Mbps or 100 Mbps twisted-pair Ethernet system operates over two pairs of wires. One pair is used for receiving data signals and the other pair is used for transmitting data signals. This means that four pins of the eight-pin connector are used.



**Figure 2.15 RJ45 Pinout**

**Note** For compliance at 100 Mbps: use shielded cable, opposite end of cable must be grounded.

### 2.5.2 Connecting iServer to PC/Hub/Switch/Router

The iServer's Ethernet interface can automatically detect the Rx and Tx lines on a twisted pair Ethernet cable (MDI/MDIX Auto Cross). Therefore, to connect an iServer to a PC/Hub/Switch/Router, either a straight-through or a cross-over cable can be used.

**Note** On certain devices (like iServer), it is possible for the hardware to automatically correct errors in cable selection, making the distinction between a "straight-through" cable and a "cross-over" cable unimportant. This capability is known as "Auto MDI/MDIX".



## PART 3

### NETWORK CONFIGURATION

#### 3.1 Network Protocols

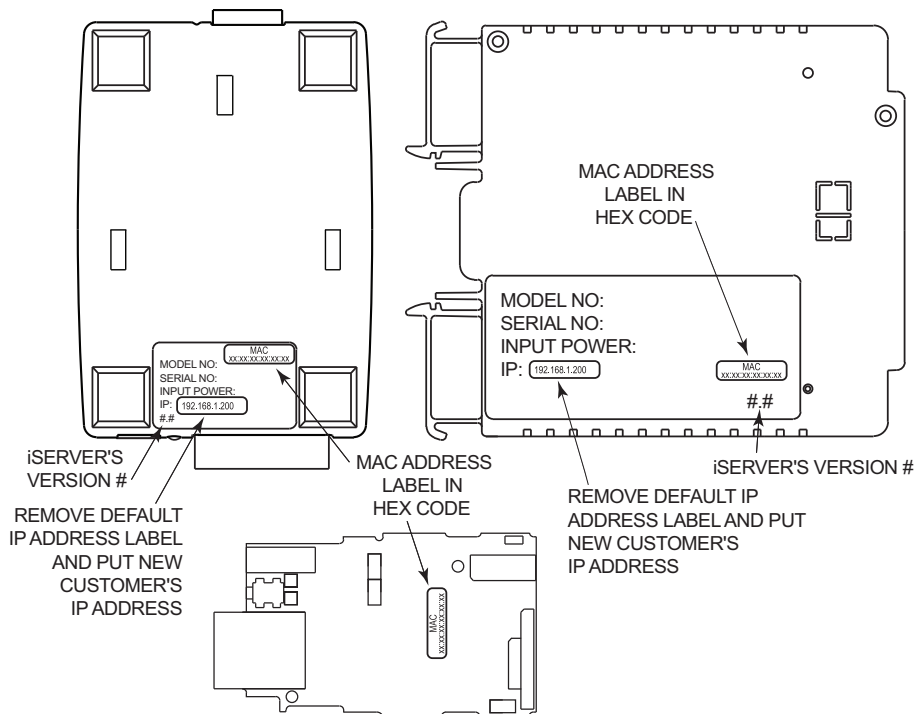
The iServer can be connected to an Ethernet network using standard IP protocols including TCP, UDP, SNMP, SMTP, ARP, HTTP (WEB server), DHCP, DNS, Telnet, and Modbus TCP/IP.

#### 3.2 Ethernet (MAC) Address

MAC (Media Access Control) address is a unique hardware number for Ethernet devices like computers, network switches, print servers, etc. When you're connected to an Ethernet LAN using a computer you can see a table of IP addresses called "ARP table" stored on that computer that matches IP addresses of devices on the network to their corresponding MAC addresses. The MAC address can be found on a label attached to your device which contains 6 bytes (12 characters) of hexadecimal numbers.

For example: **0A:0C:3D:0B:0A:0B**

**Note** On the iServer, you can remove the small label with the default IP address and there will be room to put your IP address. See figure below.



**Figure 3.1 Labeling**

**Note** For the PCB iServer version, there is an duplicate MAC address label included with your unit.

### 3.3 DHCP

DHCP, Dynamic Host Configuration Protocol, enables computers and network devices to receive their IP configurations from a DHCP server.

If DHCP is enabled on your iServer, as soon as the iServer that is connected to the network is powered on, there will be an exchange of information between the iServer and the DHCP server. As result, the DHCP server will assign an IP address, a Gateway address, a Subnet Mask, and a DNS address to the iServer. Note that the DHCP server must be correctly configured to make such assignments.

The iServer is shipped with DHCP disabled (factory default).

If fixed or static IP address is desired, the DHCP function must be disabled.

The DHCP can be enabled by accessing the iServer's web server and selecting Network option (refer to **Section 4.4.2**).

#### Note

1. It is very important to communicate with the network administrator in order to understand the DHCP and its existing configurations on the host server, before enabling the DHCP on the iServer.
2. The iServers are shipped with a default static IP address of **192.168.1.200** and Subnet Mask of **255.255.255.0**.

### 3.4 DNS

DNS, Domain Name System, enables computers and devices to be recognized over a network based on a specific name instead of IP addresses.

For example, instead of having to use **http://192.168.1.200** (IP address), you would use **http://eit0a0b** or any name up to eight alphanumeric characters defined as a Host Name in the iServer's web server.

The default Host Name for an iServer is "eit" followed by the last four digits of the MAC address of that particular iServer.

#### Note

On Windows servers where DHCP and DNS are separate functions it's very important to configure DHCP server to communicate with DNS in order for the iServer's Host Name to correctly respond. If you cannot access the iServer using its Host Name, please contact your network administrator to make sure DHCP and DNS servers are linked together

### 3.5 IP Address

Every active device connected to the TCP/IP network must have a unique IP address. This IP address is used to build a connection to the iServer itself and the serial device connected to the iServer's serial port. All network devices like computers that use TCP/IP protocol to communicate with each other should have a unique 32-bit address called IP address.

The IP address is divided into two portions, the network ID and the host ID. For instance, every computer on the same network uses the same network ID. At the same time, all of them have different host IDs.

For more details about the IP address see **Appendix B**.

### 3.6 TCP Port (Socket) Number

All TCP connections are defined by an IP address and a port number. A port number is an internal address that provides a TCP/IP interface between an application software on a computer and a device on the network.

There are three default TCP port (socket) numbers assigned to the iServer:

1. **Port 1000:** Once a TCP connection is made to the iServer using port 1000, the iServer will forward the connection to the serial device and it will take the response from the serial device and send it out to the network. The iServer will then close the TCP connection. Refer to **Section 4.4.3.2 Network-to-Serial** for more details.
2. **Port 2000:** Once a TCP connection is made to the iServer using port 2000 (or any port number that is configured on the iServer), the iServer will forward the connection to the serial device and it will take the response from the serial device and send it out to the network. The iServer will never close the TCP connection until the host who initiated the connection closes it.
3. **Port 2002:** This port is the iServer's network console port for reading or changing the iServer's settings. This can be done using a Telnet application.

Example: **C:\>Telnet 192.168.1.200 2002**

## PART 4

### OPERATIONS

This iServer can be configured in several ways, depending on user's preference and network setup. It can be configured using a Web browser like Netscape, Internet Explorer, or Firefox to access its Web server. It can also be configured using a TCP connection to port 2002 using a command line interface. NEWPORT's iConnect Configuration Software can also be used to find and configure the iServer over the Ethernet.

#### 4.1 Default IP Address

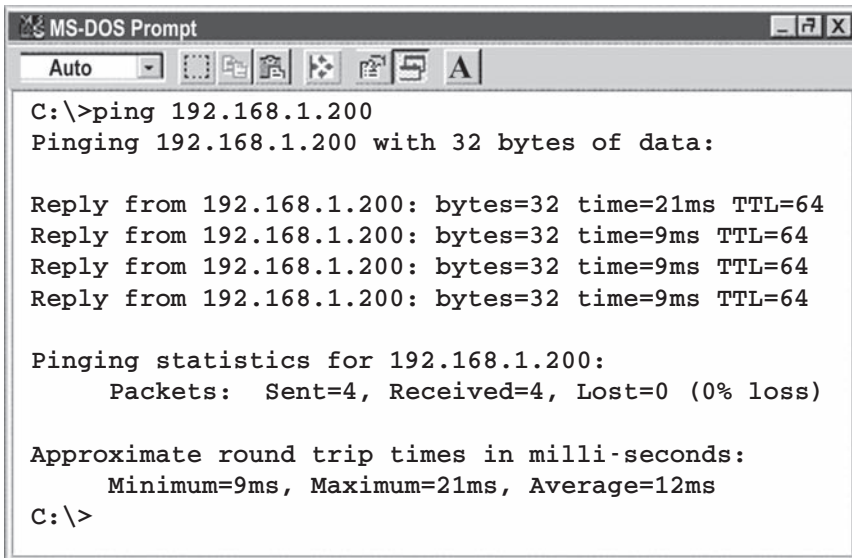
The iServer is shipped with a default IP address of **192.168.1.200** and Subnet Mask of **255.255.255.0**. If you are going to use a Web browser or Telnet program to access the iServer using its default IP address, make sure that the PC from which you're establishing the connection has an IP address that is in the same range as the iServer's IP address (**192.168.1.x**, where **x** can be any number from **1** to **254**).

**Note** Your PC's IP address cannot be the same as the iServer's IP address.

You also need to make sure that your PC's Subnet Mask is 255.255.255.0. This is a good way to access the iServer over the network and make any configuration changes needed.

If 192.168.1.200 is already in use on your network, connect the iServer directly to your computer using a CAT5 Ethernet cable (either straight or cross-over cable will be detected by the iServer) and proceed as described above.

To verify a good connection to the iServer, from a DOS prompt on your computer type "**ping 192.168.1.200**" and press Enter. You should get a reply as shown in **Figure 4.1**.



```
MS-DOS Prompt
Auto
C:\>ping 192.168.1.200
Pinging 192.168.1.200 with 32 bytes of data:

Reply from 192.168.1.200: bytes=32 time=21ms TTL=64
Reply from 192.168.1.200: bytes=32 time=9ms TTL=64
Reply from 192.168.1.200: bytes=32 time=9ms TTL=64
Reply from 192.168.1.200: bytes=32 time=9ms TTL=64

Pinging statistics for 192.168.1.200:
    Packets:  Sent=4, Received=4, Lost=0 (0% loss)

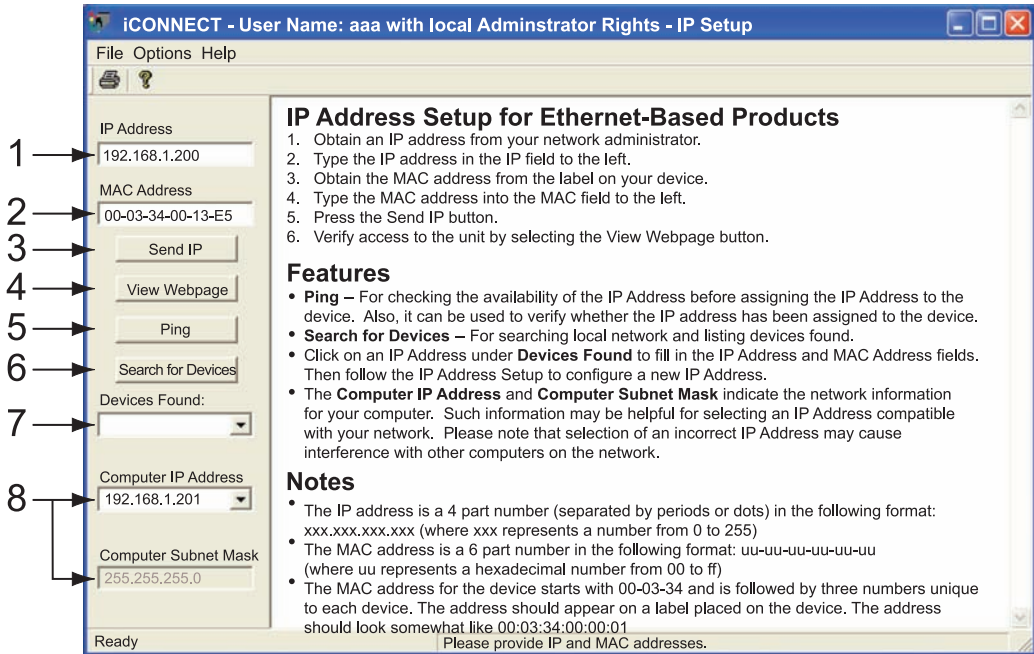
Approximate round trip times in milli-seconds:
    Minimum=9ms, Maximum=21ms, Average=12ms
C:\>
```

**Figure 4.1** Pinging the iServer from a DOS Prompt

## 4.2 iConnect Software

The iServer may also be assigned an IP Address by using the iConnect software.

- a) Download the iConnect software from the website listed in this manual.
- b) Install iConnect software on a networked PC. This software is compatible with Windows 95, 98, NT, 2000, and XP.
- c) Use iConnect to assign an IP address to the iServer and access its web pages for configuration. You can also use any standard web browser to access the iServer's web pages. Consult with your IT department for obtaining an IP address.



**Figure 4.2 Assigning an IP Address using iConnect**

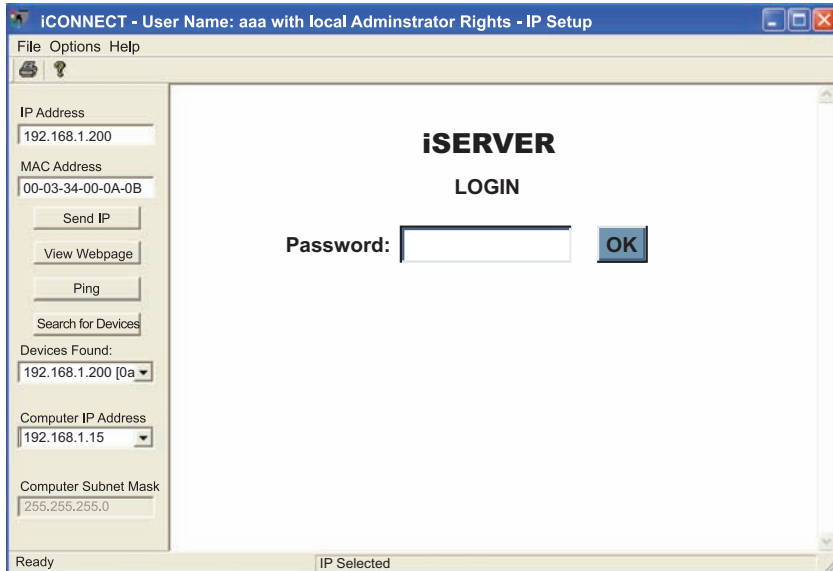
- 1) Place the IP address in this box.
- 2) Take the MAC address from the label attached to the bottom of the iServer and place it in this box.
- 3) Click here to send the above IP address to the iServer.
- 4) After the IP address is assigned to the iServer, click here to access it's web pages.
- 5) Click here to Ping the iServer whose IP address is shown in the IP address box.
- 6) Click here to find all the iServer's on your network .
- 7) The IP addresses for the iServer's found by the iConnect will be listed here.
- 8) These fields indicate the IP address and the subnet mask of the PC on which the iConnect is running.

## 4.2 iConnect Software (continued)

d) To access the iServer for Configuration:

Click on the “View Webpage” button, you will access the iServer’s home page, as shown below.

Refer to **Section 4.4** for more details.



**Figure 4.3 Accessing the iServer’s HOME Page**

## 4.3 Assigning an IP Address Using Serial Port

Once you know the IP address that you need to put on your iServer you can use a serial connection (using a Terminal Emulation program like HyperTerminal) to assign the IP address to the iServer.

**Note** You need to make sure to setup the following COM port parameters on your terminal emulation program (i.e. HyperTerminal).

Baud Rate	-	9600 b/s
Data Bit	-	8 bits
Parity	-	None
Stop Bit	-	1 bit
Flow Control	-	None
Local Echo	-	Enable
Line Feeds	-	Enable

Setting the IP address over the serial port requires a crossed-over (null modem) serial cable and HyperTerminal or any terminal emulation program.

When all the connections are done, press the Reset button or reset the power on the iServer.

### 4.3 Assigning an IP Address Using Serial Port (continued)

In the HyperTerminal Window hold the "Ctrl" key down and press the **a** key three times.

A command prompt (EIT>) will appear on the screen.

To assign an IP address to the iServer:

Type **s -IPx.x.x.x** (where x.x.x.x is the IP address).

Type **s -GWx.x.x.x** and **s -SMx.x.x.x** to assign Gateway and Subnet mask.

Type **c** to save the settings.

Type **q** to exit the page.

You will be asked to save the settings by typing **Y** and the iServer will restart with the new IP Address.

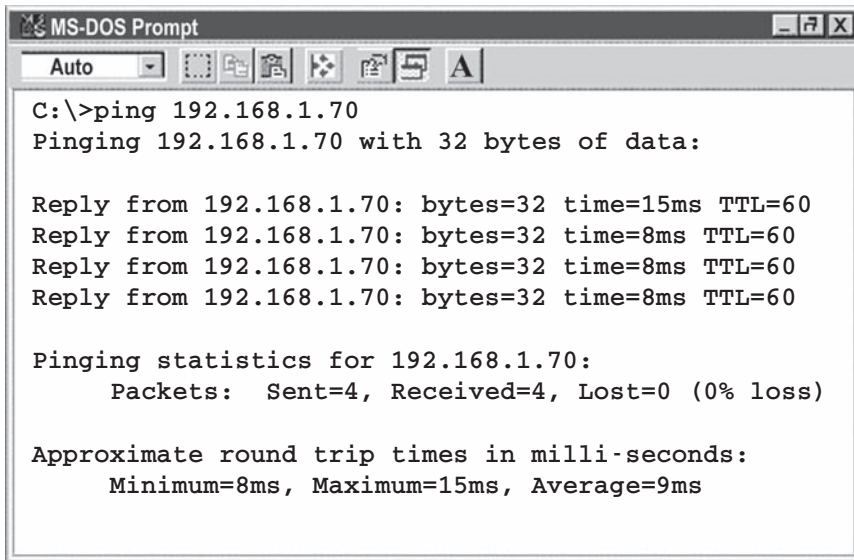
You can access the iServer's complete settings by connecting the iServer's serial port to your PC's COM port using a null-modem cable.

Bring up a terminal emulation program (i.e. HyperTerminal) and make sure the right COM port is selected and the serial communications settings (baud rate, character bit, stop bit and parity) match the iServer's serial port.

Power on the iServer and press the **Enter** key *within 5 seconds* of powering the iServer. The iServer will then transmit its complete configurations to the PC.

All that is left for you to do is to use a straight/normal network cable to connect the iServer to an Ethernet hub and power it up.

Then you can go to your computer that is connected to the same network and from the MS-DOS-Prompt window type "**ping 192.168.1.70**" where 192.168.1.70 is the new IP address for the iServer.



```
MS-DOS Prompt
Auto
C:\>ping 192.168.1.70
Pinging 192.168.1.70 with 32 bytes of data:

Reply from 192.168.1.70: bytes=32 time=15ms TTL=60
Reply from 192.168.1.70: bytes=32 time=8ms TTL=60
Reply from 192.168.1.70: bytes=32 time=8ms TTL=60
Reply from 192.168.1.70: bytes=32 time=8ms TTL=60

Pinging statistics for 192.168.1.70:
    Packets:  Sent=4, Received=4, Lost=0 (0% loss)

Approximate round trip times in milli-seconds:
    Minimum=8ms, Maximum=15ms, Average=9ms
```

Figure 4.4 Pinging the iServer from a DOS Prompt

#### 4.4 Access and Configuration Using a Web Browser

- Start your web browser.
- In the URL field, type **http://192.168.1.200** (iServer's default IP address)
- The iServer will display the LOGIN page, as shown below.

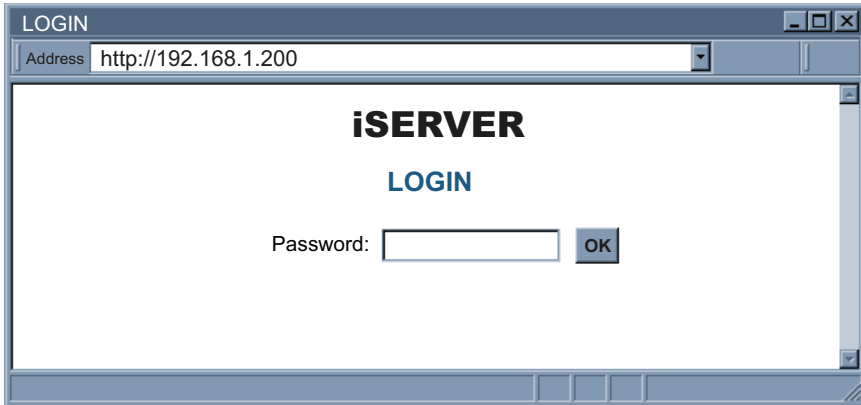


Figure 4.5 iServer LOGIN Page

**Note** In order to access iServer's web pages, users may be prompted for a password.

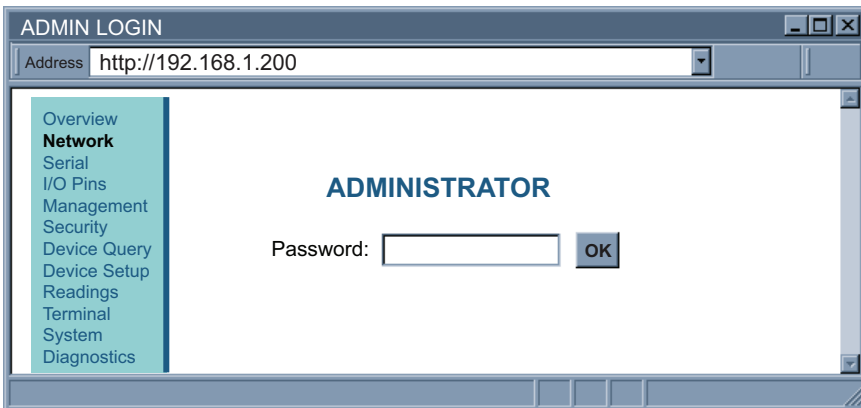


Figure 4.6 LOGIN and ADMINISTRATOR Passwords

There are two different access levels:

1. LOGIN Password is required to access the iServer's web server unless it's disabled. The default password is **12345678**. This password can be up to 16 alphanumeric case-sensitive characters.
2. ADMINISTRATOR Password is required to access NETWORK, SECURITY, and SYSTEM web pages, unless it's disabled. The default password is **00000000**. This password can be up to 16 alphanumeric case-sensitive characters.



### 4.4.1 Overview

Once the LOGIN password is entered, the OVERVIEW page will appear which provides a summary of important parameters within the iServer.

All the fields are read-only.

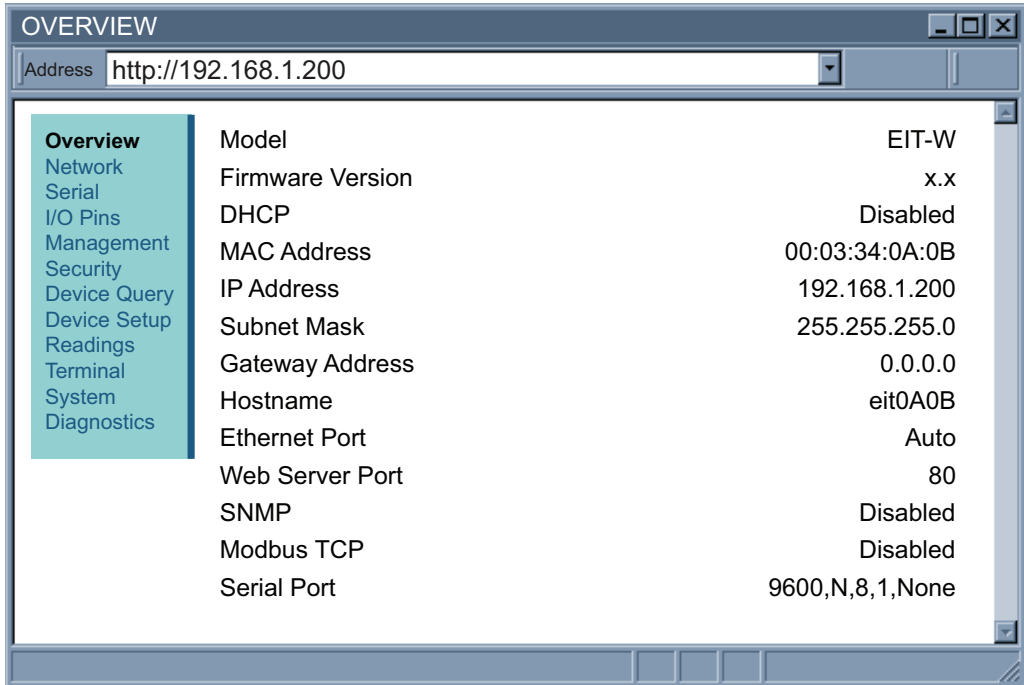


Figure 4.7 iServer OVERVIEW Page

## 4.4.2 Network

This page provides configurations for the Ethernet interface and TCP/IP parameters. Fields are described below.

The screenshot shows a web browser window titled "NETWORK" with the address bar containing "http://192.168.1.200". The main content area is titled "IP CONFIGURATION" and contains the following settings:

- DHCP**:  (unchecked)
- MAC Address**: 00:03:34:00:0A:0B
- IP Address**: 192.168.1.200
- Subnet Mask**: 255.255.255.0
- Gateway Address**: 0.0.0.0
- DNS Address**: 0.0.0.0
- Host Name**: eit0A0B
- Protocol**: TCP
- Web Server Port**: 80

Below the IP configuration is the "ETHERNET PORT" section:

- Auto-Negotiation**:  (checked)
- Speed**:  100 Mbps,  10 Mbps
- Duplex**:  Full,  Half

At the bottom is the "Telnet Setup Compatibility" section:

- Parameter Settings**: EIT Standard

Buttons for "Save Changes" and "Reset" are located at the bottom right of the configuration area.

**Figure 4.8 iServer NETWORK Page**

**DHCP** – If the box is checked the iServer will dynamically request an IP address, a subnet mask, a gateway address, and a DNS address from the DHCP server. By default the DHCP option is disabled.

For more information about DHCP, see **Section 3.3**.

**MAC Address** – This Indicates the hardware address of the iServer and it's non-configurable.

For more information about MAC Address, see **Section 3.2**.

**IP Address** – This indicates the IP address of the iServer. The iServer's default IP address is **192.168.1.200**. When DHCP is enabled this field will be dimmed.

Consult with your IT department for obtaining an IP address.


## 4.4.2 Network (continued)

**Subnet Mask** – A 32-bit number that is used to determine which part of the IP address is the network portion and which part is the host portion. When DHCP is enabled this field will be dimmed. The iServer's default Subnet Mask is *255.255.255.0*. Consult with your IT department for obtaining a subnet mask.

**Gateway Address** – This points to the router that forwards traffic to a destination address outside of the subnet on which the iServer resides. This is the IP address of the router which functions as a gateway. When DHCP is enabled this field will be dimmed. The iServer's default Gateway address is *0.0.0.0*. Consult with your IT department for obtaining a gateway address.

**DNS Address** – In order to use the iServer's DNS feature, the DNS server on your network must be configured. That allows the iServer to use a host's domain name to access the Ethernet node. The iServer plays the role of a DNS client, in the sense that the iServer will actively query the DNS server for the IP address associated with a particular domain name. When DHCP is enabled this field will be dimmed. The iServer's default DNS address is *0.0.0.0*. Consult with your IT department for obtaining a gateway address.


**Host Name** – If the DHCP is enabled the iServer will send this name to the DHCP server. This name is used so the iServer can be accessed based on a specific name instead of an IP address. For example, instead of using ***http://192.168.1.200*** (IP address), you would use ***http://eit0a0b*** or any name up to eleven alphanumeric characters. The default Host Name for an iServer is "eit" followed by the **last four digits** of the MAC address of that particular iServer.

 **Note** On Windows servers where the DHCP and DNS are separate functions it's very important to configure the DHCP server to communicate with the DNS in order for the iServer's Host Name to correctly respond. If you cannot access the iServer using its Host Name, please contact your network administrator to make sure the DHCP and DNS servers are linked together.

**Protocol** – It's the network protocol the iServer communicates with the Ethernet Network. Options are *TCP*, *UDP*, and *ModbusTCP*. The default is *TCP*.

**Web Server Port** – The default port is *80*. This is the primary port number for the HTTP protocol used for communication between internet browsers and web sites/web servers. Web servers open this port then listen for incoming connections from web browsers. Similarly, when a web browser is given an IP address (like the iServer's IP address), it assumes that the iServer's web server is listening for connections on port 80.

If this port is changed to anything but 80 then on the browser the new port number must be indicated with a colon (:) after the IP address. For example, if the Web Server Port is changed to 500, you will then need to type ***http://192.168.1.200:500*** on the browser to access the iServer's web server.

 **Note** One of the applications where the Web Server Port number may need to change is when users want to access the iServer's web server from outside the local area network (i.e. Internet). By setting up "Port Forwarding" inside a router that is the gateway to that local area network this task can be accomplished. "Port Forwarding" technique uses the Web Server Port number to forward the Internet connection to the iServer on the LAN.

## 4.4.2 Network (continued)

**Ethernet Port** – Is the link, in terms of speed and duplex, between the iServer and another Ethernet device like an Ethernet switch.

If *Auto-Negotiation* box is checked, the iServer will auto-negotiate the speed and duplex with the attached Ethernet device. This occurs at iServer power up.

If any of the other options selected, the speed and duplex will be fixed. It's important to have the same Ethernet port configuration on the iServer and the attached Ethernet device.

If iServer cannot auto-negotiate with the attached Ethernet node it will default to 10 Mbps and Half-Duplex. Once Auto-Negotiation is checked, other fields under this category will be dimmed. By default the *Auto-Negotiation* is checked.

**Note** If the iServer detects the link to be 100 Mbps the first LED will be solid green.

**Telnet Setup Compatibility** – parameter values of the telnet and serial console will match the EIT Standard or partial EIS compatibility. See **Section 4.5** for more information. Default is *EIT Standard*.

## 4.4.3 Serial

These pages provide configurations for the iServer's serial port as well as different techniques for bridging data between serial and Ethernet ports (see **Figures 4.9, 4.10, 4.11 and 4.12**). Fields are described below.

### 4.4.3.1 Serial Port

The screenshot shows a web browser window titled "SERIAL" with the address "http://192.168.1.200". The page has a navigation menu on the left with options: Overview, Network, Serial (selected), I/O Pins, Management, Security, Device Query, Device Setup, Readings, Terminal, System, and Diagnostics. The main content area is titled "SERIAL PORT" and contains the following configuration fields:

Baud Rate	9600
Data Bits	8
Parity	None
Stop Bit	1
Flow Control	None

At the bottom of the configuration area are two buttons: "Save Changes" and "Reset".

**Figure 4.9** iServer SERIAL Page – Serial Port - RS232

### 4.4.3.1 Serial Port (continued)

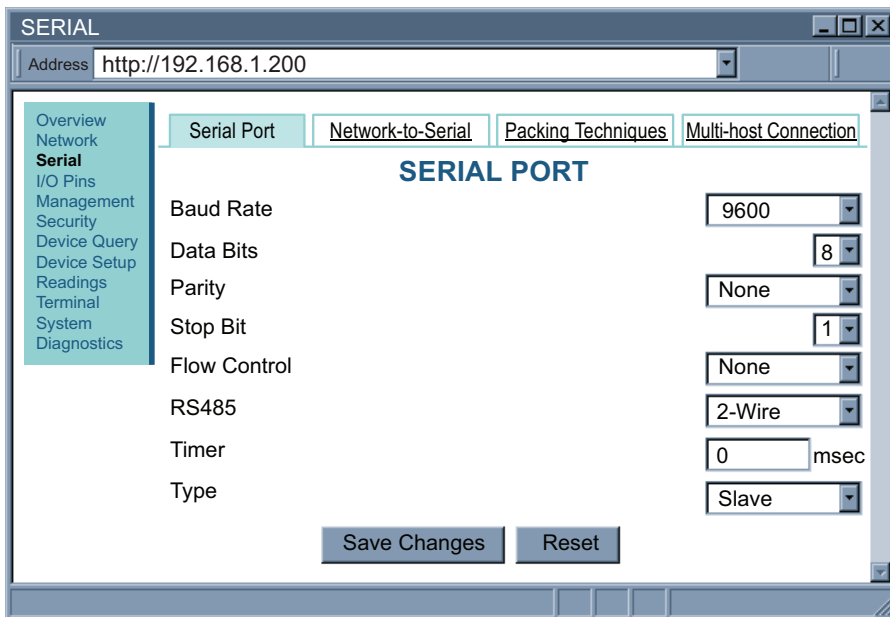
**Baud Rate** – This indicates the speed of the iServer’s serial port. Options are *300, 600, 1200, 2400, 4800, 9600, 19200, 38400, 57600, 115200, 230400, and 460800* bits/s. The default is *9600* bits/s.

**Data Bits** – This Indicates the number of bits in a transmitted serial packet. Options are *7* and *8*. The default is *8*.

**Parity** – This checks the serial packet for the parity bit. Options are *Even, Odd, and None*. The default is *None*.

**Stop Bit** – This indicates the end of transmission. Options are *1* and *2*. The default is *1*.

**Flow Control** – This handles the data flow between the iServer and the attached serial device to ensure it’s processed efficiently. Too much data arriving before the device can handle it causes lost data. Options are *Hardware* (using RTS and CTS pins), *Software* also called *Xon/Xoff* (using Tx and Rx pins), and *None*. The default is *None*.



**Figure 4.10 iServer SERIAL Page – Serial Port - RS485**

**RS485** – This option allows you to set the RS485 to be half or full duplex mode. Half duplex is *2-wire* RS485 and full duplex is *4-wire* RS485. The default is *2-Wire* (half duplex). If *4-wire* is chosen, **Timer** and **Type** will be unavailable (grayed-out).

**Timer** – This option forces the RS485 to be either slave (where it will be only transmitting data on the serial port) or master mode (where it will be only receiving data on the serial port). The default is *0 msec*.

With RS485 connection, the timeout value is used to switch between serial transmit and receive mode. Since the iServer supports 2-wire RS485, it needs to either transmit or receive serial data and the timeout value determines the time interval for each. The range can be from 0 to 9999 msec.

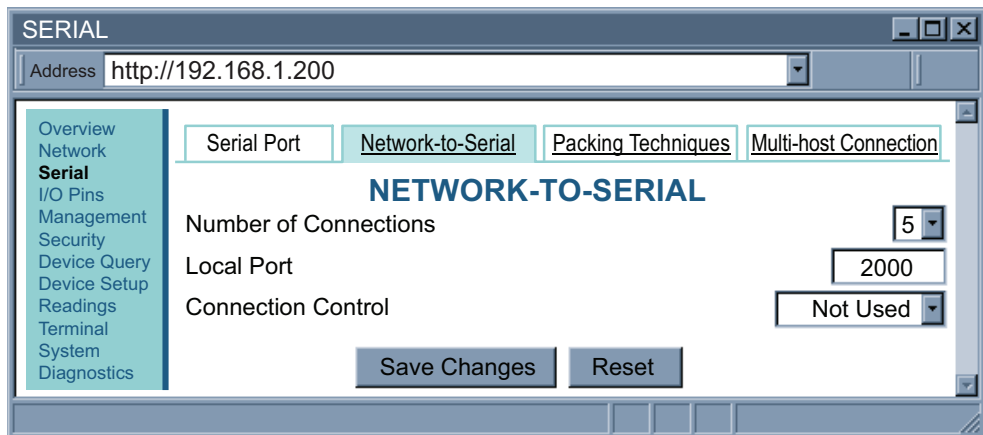
### 4.4.3.2 Network-to-Serial

**Type** – This option allows you to set the time when the RS485 becomes from transmit (*slave*) to receive (*master*) mode. The default is *Slave*.

In most cases the iServer will be acting as a *Slave* device. *Slave* option is chosen when a network host needs to connect to the serial port of the iServer. With RS485 connection, the host option is selected if the connection is initiated from the serial device targeting a node on the network.

**Note** In order to have a good connection between the iServer and the serial device all serial port parameters (described above) should be the same for the iServer and the serial device.

For example, if the iServer is configured for 9600 baud rate, 8 data bits, no parity, 1 stop bit, and no flow control the serial device must have the exact same settings.



**Figure 4.11 iServer SERIAL Page – Network to Serial**

**Number of Connections** – This option allows up to 5 network connections to be made to the iServer’s serial port. The choices are 0, 1, 2, 3, 4, and 5.

If 1 is selected then only one network connection can be made to the iServer’s serial port. Any number more than 1 would allow those many network hosts to simultaneously monitor (read only) the traffic on the iServer’s serial port, but only one host would be allowed to write to the serial port.

When selection numbers from 1 to 5, the iServer does not close the TCP connection made by the network host until the host closes it.

When 0 is selected the iServer’s serial port will be closed to all network connections except connections made to port 1000.

This means that a network host can open a TCP connection to the iServer’s serial port only by using port 1000.

Once the serial device response back, the iServer will forward the response back to the host and it will then close the TCP connection. The default is 5.

### 4.4.3.2 Network-to-Serial (continued)

**Local Port** – This is the port number assigned to the iServer’s serial port for the purpose of TCP, UDP, or ModbusTCP connection. Any number between 500 and 9999 can be used with the exceptions of 1000 and 2002 which are reserved by the iServer for other purposes (port 1000 is described in the previous **Section 3.6** TCP Port (Socket) Number and port 2002 is the iServer’s Telnet console port). The default is 2000.

**Note** Port number 502 is the default port number for Modbus/TCP protocol. If Modbus/TCP is enabled in the iServer, it’s then suggested to use port 502 for the iServer’s Local Port unless your host software that supports Modbus/TCP indicates otherwise.

**Connection Control – (for RS232 only)** Options are *Not Used*, *Rise RTS (RTS+)*, *Drop RTS (RTS-)*, *Rise DTR (DTR+)*, and *Drop DTR (DTR-)*.

If *Not Used* is selected, then the iServer forwards network connections to its serial port with no conditions.

Some serial devices accept connections based on certain signal conditions.

For example, a serial device may accept a connection only if the iServer’s DTR (connected to the device’s DSR or DCD) is high or low. In this case, when the iServer receives a connection from a networked host, before forwarding it to its serial port the iServer must rise its DTR (when *Rise DTR* is selected) or it must lower its DTR (when *Drop DTR* is selected). The default is *Not Used*.

### 4.4.3.3 Packing Techniques

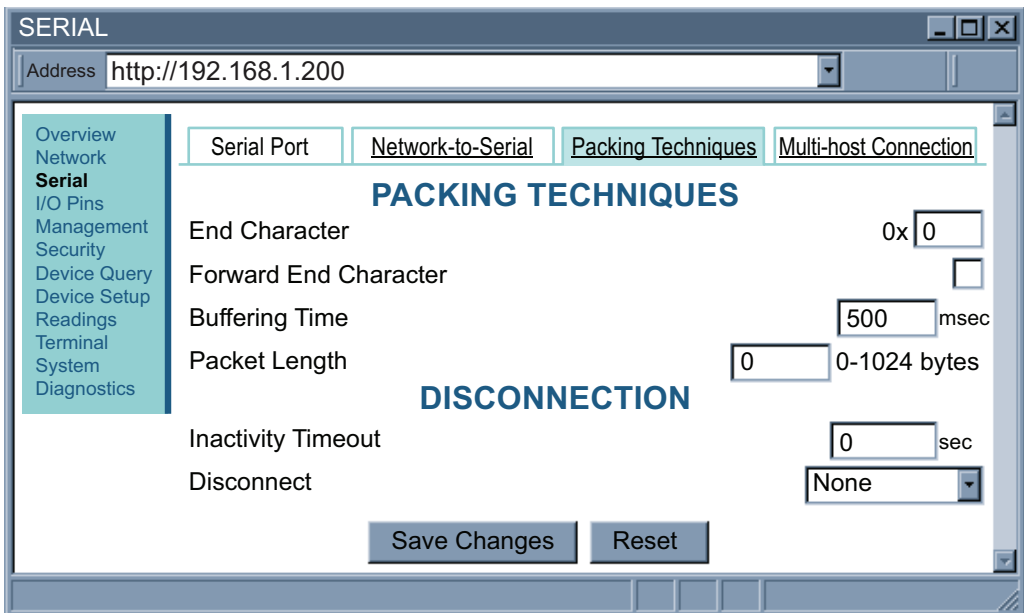


Figure 4.12 iServer SERIAL Page – Packing Techniques

### 4.4.3.3 Packing Techniques (continued)

**End Character** – When this hexadecimal character is received by the iServer on its serial port, the iServer will forward the buffered serial data to the Ethernet.

The default value is *0*, which means the iServer requires no End Character to forward the data to the network.

**Forward End Character** – If this option is *checked*, the iServer will send the End Character out to the Ethernet as part of the data.

If *unchecked*, the iServer will not count the End Character as part of the data and will drop it. The default is *unchecked*.

**Buffering Time** – This forces the iServer to buffer the received serial data for the give time value. This option defines the time interval during which the iServer stores the serial data in its buffer before sending it out to the network.

Depending on users' applications, this time must be at least larger than one character interval within the specified baud rate.

For example, assume that the serial port is set to 1200 bps, 8 data bits, 1 stop bit, and no parity.

In this case, the total number of bits needed to send a character is 10 bits and the time required to transfer one character is:

$$(10 \text{ (bits)} / 1200 \text{ (bits/sec)}) * 1000 \text{ (msec/sec)} = 8.3 \text{ msec.}$$

Therefore, the Buffering Time must be larger than 8.3 msec.

If the interval is set to be too long (counting the baud rate in the equation) and therefore the iServer's buffer approaches to get full, the iServer will override the specified time and will push the data out to the network before the buffer is full.

The default is *500* milliseconds.

**Packet Length** – If the received data length (in bytes) matches the entered value, the data will be sent out to the network. The data length of up to 1024 bytes can be entered. Enter *0* if you don't need to limit the length. The default is *0*.

**Inactivity Timeout** – This option impacts Network-to-Serial and Serial-to-Network connections.

The iServer will drop the TCP connection if there is no activity before the defined time expires. If *0* is selected there won't be any timeout. The default is *0 seconds*.

**Disconnect – (for RS232 only)** This option impacts serial-to-network connections. The choices are *None*, *on DSR Drop (EIS: DSR+)*, *on DSR Rise (EIS: DSR-)*, *on CTS Drop (EIS: CTS+)*, *on CTS Rise (EIS: CTS-)*, *on DCD Drop (EIS: DCD+)*, and *on DCD Rise (EIS: DCD-)*.

The iServer will not disconnect the network connection under any circumstances if *None* is selected.

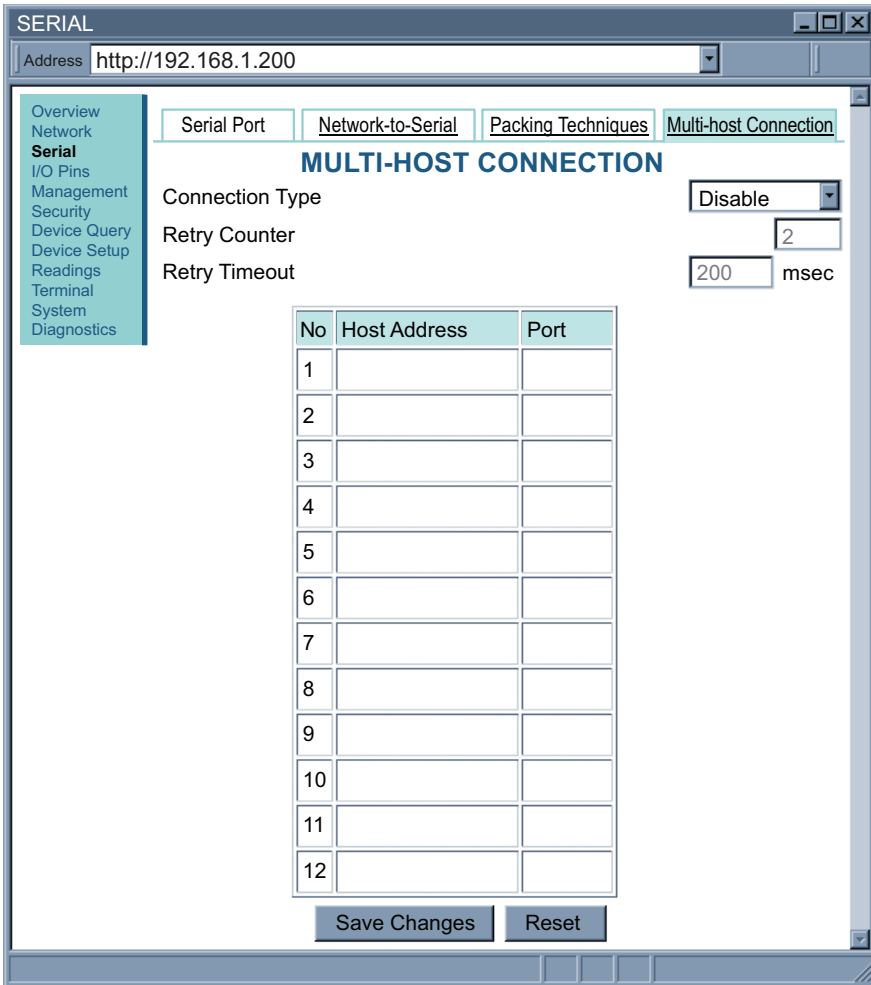
If *on DSR/DCD/CTS Rise* is selected, the iServer will disconnect the network connection when its *DSR/DCD/CTS* signal is risen.

When *on DSR/DCD/CTS Drop* is selected, the iServer will disconnect the network connection if its *DSR/DCD/CTS* signal is dropped.

The default is *None*.



#### 4.4.3.4 Multi-host Connection



**Figure 4.13 iServer SERIAL Page – Multi-host Connection**

**Connection Type** – The options are *Disable*, *Simultaneous*, and *Sequential*. The iServer can send the received serial data to multiple network hosts *Simultaneously* or *Sequentially*.

In *Simultaneous* mode, the received serial data will be transmitted to all the network nodes that are indicated in the host table (using TCP or UDP protocol depending on which protocol is selected under the NETWORK page).

In *Sequential* mode, the iServer scrolls through the IP addresses in the host table until it connects to one. After a successful connection, the iServer stops trying to connect to any others. If this connection fails, the iServer continues to scroll through the table until the next successful connection takes place.

Each entry in the host table should contain an IP address and a port number. The default is *Disable*.

#### 4.4.3.4 Multi-host Connection (continued)

**Retry Counter** – This indicates the number of tries to connect to the host address. The default is 2.

**Retry Timeout** – This indicates the amount of time (msec) between each try. The default is 200 msec.

#### 4.4.4 I/O Pins

##### 4.4.4.1 I/O Pins for RS232 Models

This page provides the status for Input and Output pins described in **Section 2.4**.

The Wall Mount iServer with RS232 model has only **one** input. This input can be used as a condition for the SNMP and/or email alarms. For more details see **Section 4.4.5.2**.

An **Up** (Green) or **Down** (Gray) arrow indicates whether the Input pin is High or Low respectively. All GPIO pins are 3.3V for logic High and 0V for logic Low.

The DIN Rail iServer RS232 model has **no** input or outputs.

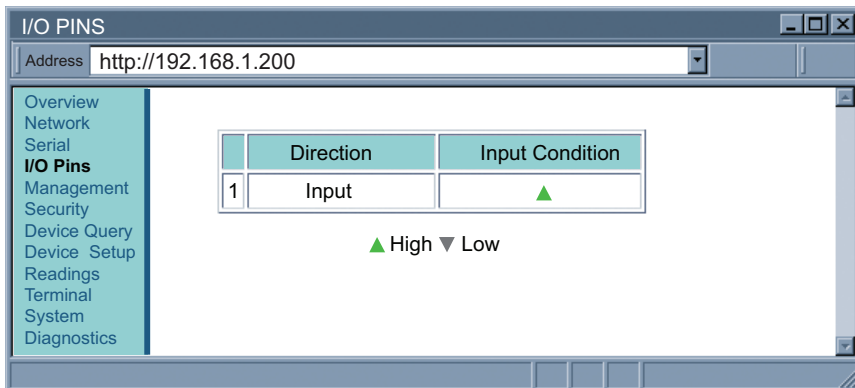


Figure 4.14 iServer I/O PINS Page for RS232 - Wall Mount iServer

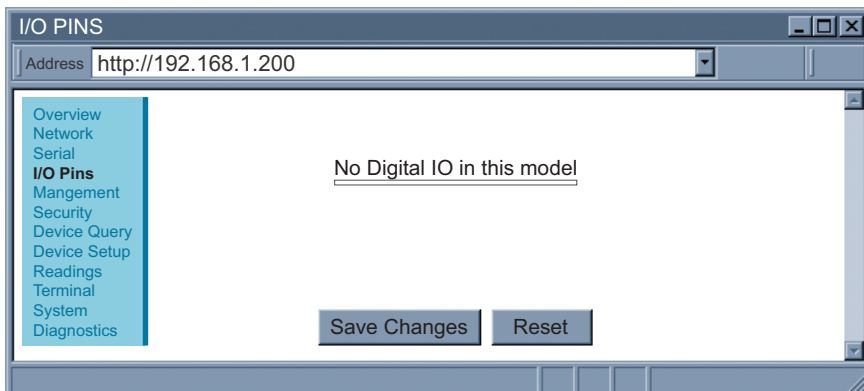


Figure 4.15 iServer I/O PINS Page for RS232 - DIN Rail iServer

#### 4.4.4.2 I/O Pins for RS485 Models

The RS485 models come with **three** I/O pins that can either be set to inputs or outputs. An **Up** (Green) or **Down** (Gray) arrow indicates whether the Input pin is High or Low respectively.

All GPIO pins are 3.3V for logic High and 0V for logic Low.

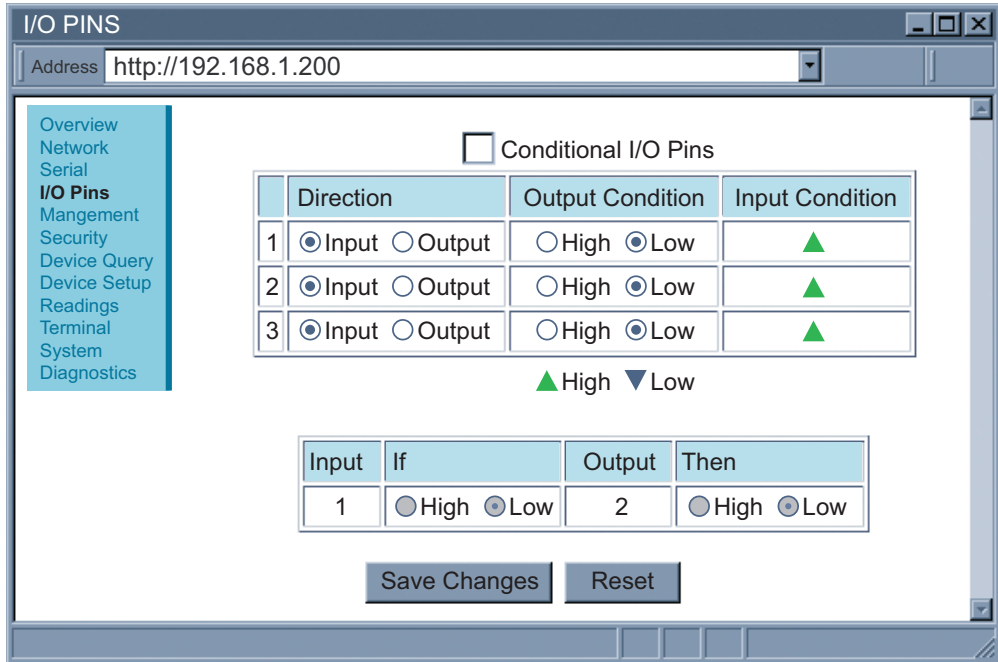


Figure 4.16 iServer I/O PINS Page for RS485 Models

**Note** The numbers indicated on the screen shots are not the actual pin numbers. Refer to **Section 2.4 Wiring Interface**, for the correct pin numbers.

## 4.4.5 Management

This page provides the configuration of the iServer's email, SNMP and alarm settings. SNMP (Simple Network Management Protocol) is a protocol used by network management systems to communicate with network devices that respond to SNMP connections for the purpose of problem detections and corrections (see **Figures 4.17** and **4.18**). Fields are described below.

The screenshot shows a web browser window titled "MANAGEMENT" with the address "http://192.168.1.200". The left sidebar contains a navigation menu with items: Overview, Network, Serial, I/O Pins, Management (highlighted), Security, Device Query, Device Setup, Readings, Terminal, System, and Diagnostics. The main content area has tabs for "Email,SNMP", "Alarm 1", "Alarm 2", "Alarm 3", "Alarm 4", and "Alarm 5". The "SNMP" section includes: "SNMP Service" (checked), "SNMP Community" (Public), "Contact" (Joe Smith), "Location" (Station #3), "SNMP Traps" (checked), and "SNMP Trap Server IP" (192.168.1.20). The "EMAIL" section includes: "Email Service" (checked), "SMTP Server IP" (192.168.1.10), "SMTP Server Port" (25), "From:" (joe.smith@newportUS.com), and "Subject:" (Alarm from iServer). "Save" and "Reset" buttons are at the bottom.

**Figure 4.17 iServer MANAGEMENT Page – Email, SNMP**

### 4.4.5.1 Management - Email SNMP

**SNMP Service** – This option is used to enable the SNMP service. The default is *unchecked*.

**SNMP Community** – Every SNMP communication takes place using a community string. It's configurable to either *public* or *private*. *Public* is the default.

**Contact** – This field specifies the contact name to which the SNMP trap is sent. This field allows the trap to address a particular person. It is similar to the word "Attn:" in the subject line of an email.

**Location** – This field specifies the location of the iServer. For example, it can be "Boiler Control Station #3" which is the place where the iServer and the serial device are located. Each SNMP trap will have both the contact and location information in it to help identify where the trap is coming from and whom it is meant for.

**SNMP Traps** – This option allows the customer to enable traps in SNMP. Traps are UDP data packets sent to an IP address (Trap server IP) by iServer and contain contact and location information and also OID (Object ID) for a trap.

#### 4.4.5.1 Management - Email SNMP (continued)

**SNMP Trap Server IP** – This field contains the IP address of the trap server located somewhere on your network. The trap server listens for SNMP traps coming from the iServer. Third-party trap server software can be found on the internet for download.

**Email Service** – This option enables the email service on the iServer. The iServer uses SMTP (Simple Mail Transfer Protocol) with port number 25 to send emails. The default is *unchecked*.

**Note** You must have an email server (SMTP server) on your network in order to receive emails generated by the iServer.

**SMTP Server IP** – This field specifies the IP Address of the SMTP server.

**Note** iServer does not support SMTP server authentication.

**SMTP Server Port** – This is a read only field specifying the standard port number 25 used by the SMTP Server.

**From** – This field specifies the name of the person that will send email. It can also be an email address. Only one name or email address is allowed at a time with space or comma in between

**Subject** – This field specifies the subject of the email to send. All emails will have this common subject. Example of a subject can be “Alarm from iServer”.

#### 4.4.5.2 Management - Alarm 1 - 5

Events	Email	SNMP Trap
Power Reset	<input type="checkbox"/>	<input type="checkbox"/>
IP Address Changed	<input type="checkbox"/>	<input type="checkbox"/>
iServer Accessed	<input type="checkbox"/>	<input type="checkbox"/>
Character 1 <input type="text" value="0x00"/>	<input type="checkbox"/>	<input type="checkbox"/>
Character 2 <input type="text" value="0x00"/>	<input type="checkbox"/>	<input type="checkbox"/>
Input Pin <input type="text" value="PIN1"/> Input Condition <input type="text" value="LOW"/>	<input type="checkbox"/>	<input type="checkbox"/>
Serial Port Disconnected	<input checked="" type="checkbox"/>	<input checked="" type="checkbox"/>

**Properties**

Reminder Interval  minutes

To:

Message:

Figure 4.18 iServer MANAGEMENT Page – Alarm

#### 4.4.5.2 Management - Alarm 1 - 5 (continued)

**Enable** – This option enables the alarm1.

**Power Reset – Email** – This option enables iServer to send an email when it is rebooted.

**Power Reset – Trap** – This option enables iServer to send a trap when it is rebooted.

**IP Address Changed – Email** – This option enables iServer to send an email when the iServer's IP Address is changed.

**IP Address Changed – Trap** – This option enables iServer to send a trap when the iServer's IP Address is changed.

**iServer Accessed – Email** – This option enables iServer to send an email when the iServer is accessed on Port 2000.

**iServer Accessed – Trap** – This option enables iServer to send a trap when the iServer is accessed on Port 2000.

**Character 1,2 – Email** – This option enables the iServer to send an email when the iServer receives on its serial port, the character specified in the field Character 1 or Character 2.

**Character 1,2 – Trap** – This option enables the iServer to send a trap when the iServer receives on its serial port, the character specified in the field Character 1 or Character 2.

**Input Pin – Email** – This option enables iServer to send an email when iServer's input pin (the one selected) matches with the Input condition high or low that is selected. This option is not available in the iServer models without the I/O pins.

**Input Pin – Trap** – This option enables iServer to send a trap when iServer's input pin (the one selected) matches with the Input condition high or low that is selected. This option is not available in models that do not have I/O pins.

**Serial Port Disconnected – Email** – This option enables iServer to send an email when the serial cable is disconnected. This option is not available in RS485 models.

**Serial Port Disconnected – Trap** – This option enables iServer to send a trap when the Serial cable is disconnected. This option is not available in RS485 models.

**Reminder Interval** – This field sets a reminder interval for either an email or a trap to be sent again. The allowed **minimum value is 5 minutes** and the maximum value is 300 minutes. Do not set the value for less than 5 minutes.

Only the options Input Pin and Serial Port Disconnected use this Reminder Interval. Power Reset email is sent only once.

IP Address Changed, iServer Accessed and Character 1, 2 options send email/trap whenever the conditions occur.

**To** – This field contains the email addresses of people that will be getting the email for a particular alarm. If multiple emails are to be sent then the names need to be separated by a comma.

**Message** – This field contains the message body for the email of a particular alarm.

#### 4.4.5.2.1 Sending Txt Messages to a Cell Phone



To send an alarm as a text message to your cell phone you need to enter the email address that is associated with your cell phone number. For example: 7145551212@xxxx.xxx where 714-555-1212 is the cell phone number and xxxx.xxx is the domain name for the telecomm provider. You'll just need to find the correct email format for your cell phone provider. Here are a few examples of email formats for providers in the U.S.

T-Mobile        phone\_number@tmomail.net  
Virgin Mobile   phone\_number@vmobl.com  
AT&T            phone\_number@txt.att.net  
Sprint            phone\_number@messaging.sprintpcs.com  
Verizon          phone\_number@vtext.com  
Nextel           phone\_number@messaging.nextel.com

#### 4.4.6 Security

This page provides security and access settings for the iServer. Administrator password (default is 00000000) is required to access the SECURITY page. Fields are described below.

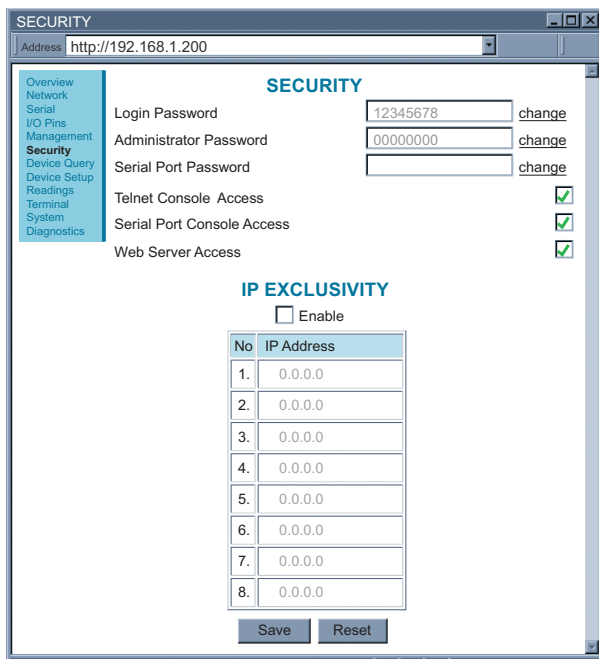


Figure 4.19 iServer SECURITY Page

**Login Password** – To access the iServer's web server this password is required. The password length can be up to 16 alphanumeric case-sensitive characters. To change the password click on **change**. Empty box means no password is required. The default Login Password is 12345678.

**Administrator Password** – To access NETWORK, SECURITY, and SYSTEM pages, this password is required. The password length can be up to 16 alphanumeric case-sensitive characters. To change the password click on **change**. Empty box means no password is required. The default Administrator Password is 00000000.



This password will also be prompted when Telnet to port 2002 is made. Port 2002 is the Telnet console port that allows users to configure all the iServer parameters that can be configured through the web server.

#### 4.4.6 Security (continued)

**Serial Port Password** – To access the iServer’s serial port (via TCP or UDP socket connection) this password is required (port 2000 is the iServer’s default serial port number). The password length can be up to 16 alphanumeric case-sensitive characters. To change the password click on **change**. Empty box means no password is required. The default Serial Port Password is *none*.

**Telnet Console Access** – If checked, Telnet to the iServer’s port 2002 is allowed. The default is *checked*. The password for the Telnet Console Access is the same as the Administrator Password.

**Serial Port Console Access** – If checked, an in-bound console connection to the iServer’s serial port is allowed. Using a terminal emulation program on a PC (like HyperTerminal) this connection can be made to configure the iServer for its IP address, gateway address and subnet mask. The default is *checked*.

**Note** The iServer is always in “**data**” mode when an in-bound serial connection is made to the iServer. You can change from “**data**” mode to “**configuration**” mode by sending three “**Ctrl a**” characters within 5 seconds after the iServer is powered on. Letter **q** will put the iServer back to “**data**” mode.

**Web Server Access** – If checked, a web browser can be used to connect to the iServer’s web server. If unchecked, access to the iServer’s web server will be blocked. The default is *checked*.

**IP Exclusivity** – This table contains all the IP Addresses for the network nodes that are allowed to communicate with the iServer.

If the table is empty then all the network nodes will be allowed to connect to the iServer. If enabled, all packets from IP Addresses that are not on this list will be ignored and thrown away. The default is *Disable*.

#### 4.4.7 Device Query

This page allows you to send a command to a single serial device connected to the iServer and displays the response back from that serial device.

If the connection is RS485, the RS485 node number must be typed before the actual command.

Example: **\*01** is the RS485 node number 1 and the **X01** is the actual command requesting temperature value.

Refer to your device’s Serial Communication Manual for a list of Commands.

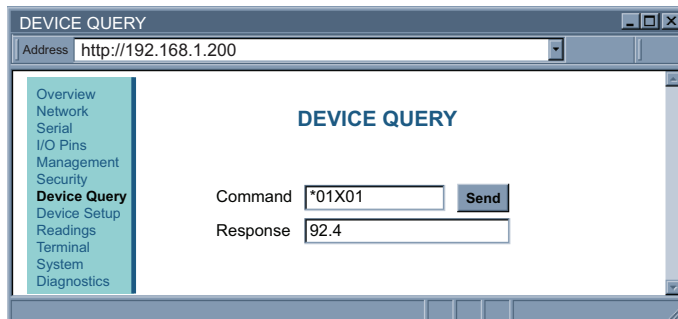


Figure 4.20 iServer DEVICE QUERY Page for RS485



## 4.4.8 Device Setup

This option allows the users to add up to eight device names, commands and a response unit (in RS485 mode). The iServer will send the entered commands on the serial port and will receive the responses from those devices. Clicking on **Readings** page link will show the response.

**Note**

Since only one device can be connected in an RS232 connection, there should be only **one device** entered in the DEVICE SETUP page. For RS232 no device address is used, only the Command \*X01.

You can setup and display your device's different values (e.g. Peak and Valley). Refer to your device's Serial Communication Manual for a list of Commands.

On this page there is a “**No**” column, which has numbers from 1 to 8. These numbers are links to the parameters of each device; click on them to enter the device name, command and unit.

No	Check	Name	Command	Unit
<u>1</u>	<input checked="" type="checkbox"/>	Boiler 1	*01X01	Deg. C
<u>2</u>	<input checked="" type="checkbox"/>	Boiler 2	*02X01	Deg. C
<u>3</u>	<input type="checkbox"/>			
<u>4</u>	<input type="checkbox"/>			
<u>5</u>	<input type="checkbox"/>			
<u>6</u>	<input type="checkbox"/>			
<u>7</u>	<input type="checkbox"/>			
<u>8</u>	<input type="checkbox"/>			

Click on Device No. on the left to modify Device Parameters

Update Checked Box

Figure 4.21 iServer DEVICE SETUP Page for RS485

### 4.4.8.1 Device Parameters

After clicking on any of the numbers (1 through 8), you will be directed to the DEVICE PARAMETERS page.

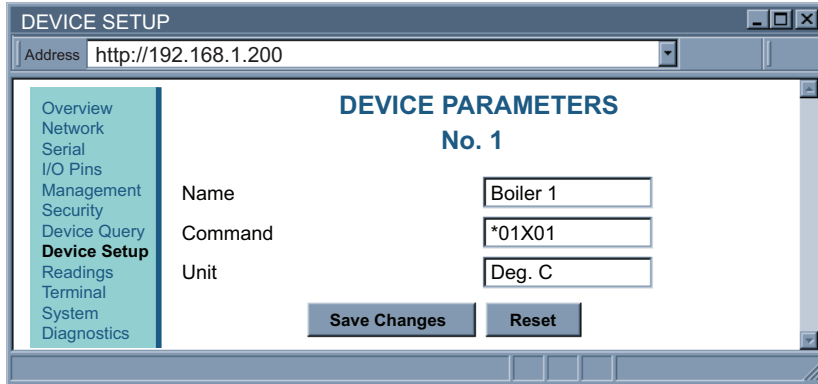
**Name** - This field allows you to enter the device name and can take up to eight alphanumeric characters.

**Command** - This field is where the actual command is typed.

The iServer will send this command to the serial device as soon as the READINGS page link is clicked.

**Unit** - This field is the response unit and can take up to eight alphanumeric characters.

### 4.4.8.1 Device Parameters(continued)

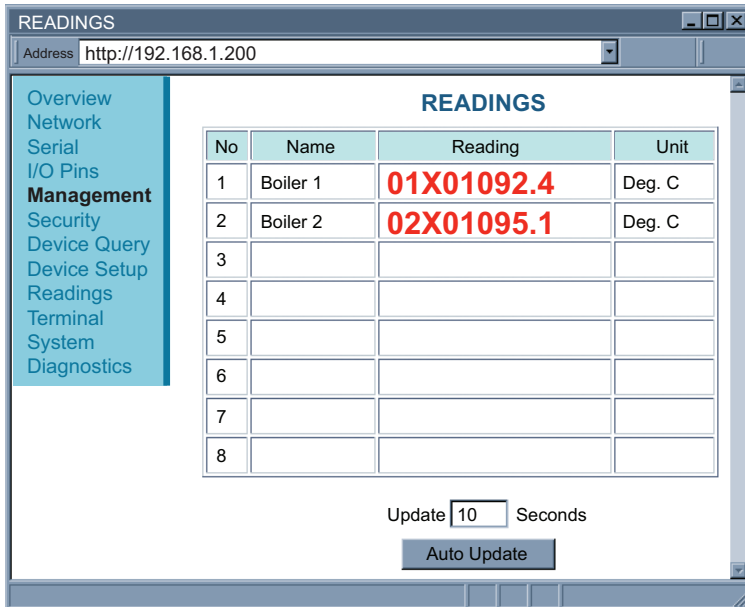


**Figure 4.22 iServer DEVICE PARAMETERS Page for RS485**

In RS485 connection, the RS485 node number must be typed before the actual command. Example: **\*01** is the RS485 node number 1 and the **X01** is the actual command requesting temperature value. For RS232 the command would be **X01**

### 4.4.9 Readings

After adding the Device Parameters, including the Command, clicking on the READINGS page allows you to monitor the response back from the serial device.



The command **01X01** is displayed on the Readings page when “echo” is enabled on your Device.

**Figure 4.23 iServer READINGS Page for RS485**

**Auto Update** - To change the time interval of the page refresh, enter the amount of seconds in the box. If you want to manually refresh the page, refresh your browser or click on Readings.

#### 4.4.10 Terminal

On this page you can send and receive data to and from the serial device. Simply, type the command in the white area and as you type the characters, the characters will be transmitted out from the serial port of the iServer. If you want to send the whole command as a word, simple paste the word in the same area. This is an excellent tool to retrieve data from the serial port without any special software, only a web browser.

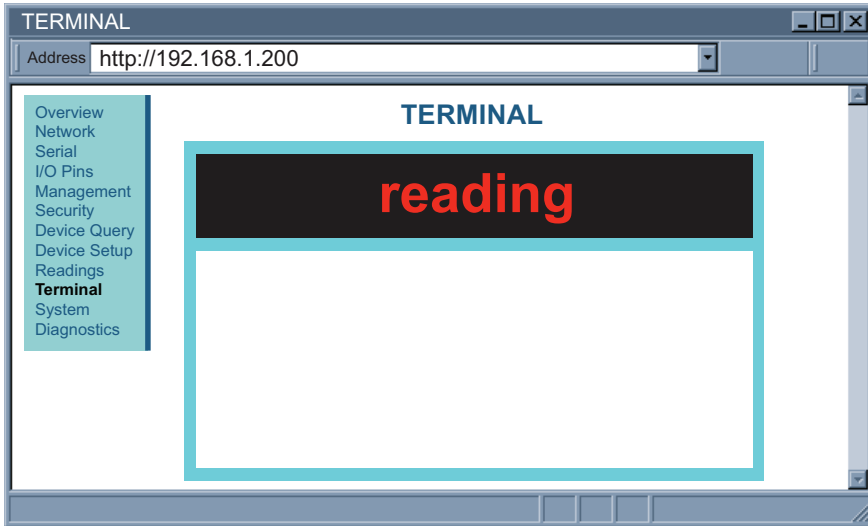


Figure 4.24 iServer TERMINAL Page

#### 4.4.11 System

This page provides various options to reboot, restore defaults, upgrade firmware and download/upload configuration for the iServer. Fields are described below.

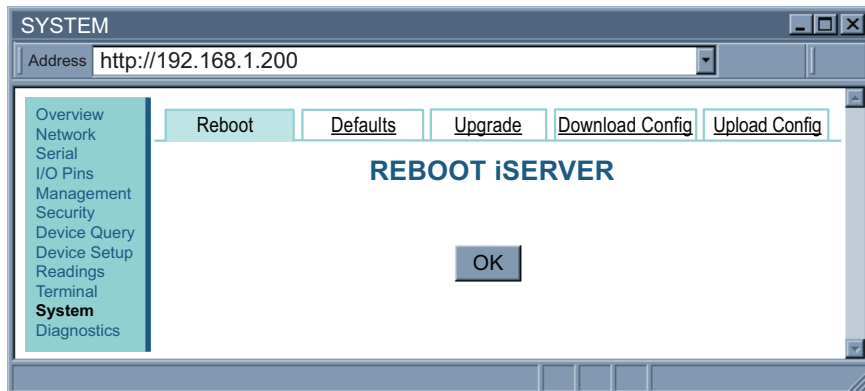


Figure 4.25 iServer SYSTEM Page

**Reboot** – Clicking on OK button will reboot the iServer.

**Defaults** – Clicking on OK button will reset the iServer to factory default settings.

### 4.4.11 System (continued)

**Upgrade** – Before proceeding with the firmware upgrade, enter the name of the file you plan to use, click on *Check File Name* button.

If OK, a new screen will appear and you can then browse to the actual upgrade firmware file “EIT\_x\_y.bin” and click on the *Upload* button.

After the file has upgraded the iServer will automatically reboot and load the new firmwar, you will be returned to the Welcome page.

**Download Config** – Using this option you can download the configuration file that contains all the settings stored in the iServer and use it as a reference.

**Upload Config** – Using this option you can upload the configuration file to iServer.

**Note** It is recommended to download and store a working copy of this configuration file in case the device is configured improperly. You can then set the iServer to its default settings and upload the configuration file again.

### 4.4.12 Diagnostics

This page provides diagnostic information for the iServer. It includes information such as Serial port or Ethernet data received or transmitted and has the ability to reset the counters. Also other network devices can be pinged from here. Fields are described below.

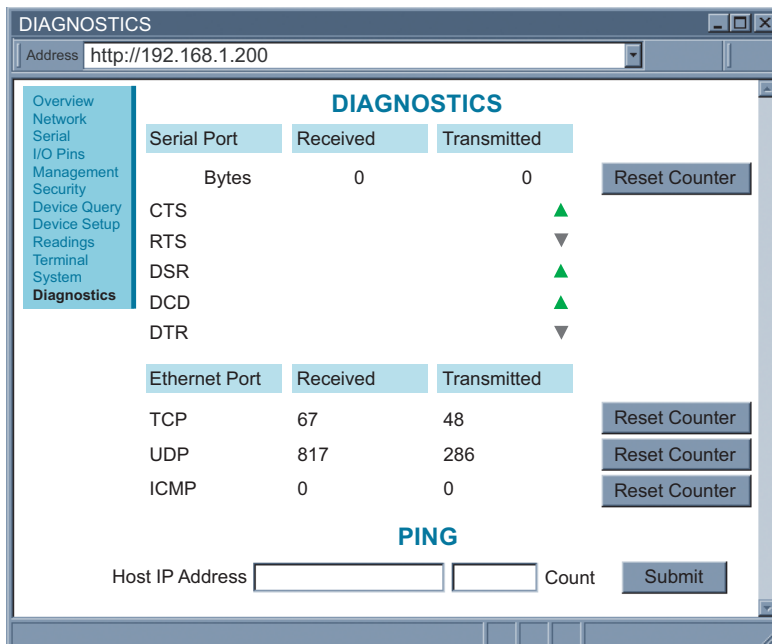


Figure 4.26 iServer DIAGNOSTICS Page

#### 4.4.12.1 Diagnostics - Serial Port

**Bytes Received** – This is the number of bytes received by the iServer on its serial port.

**Bytes Transmitted** – This is the number of bytes transmitted by the iServer on the serial port.

#### 4.4.12.1 Diagnostics - Serial Port (continued)

The **Reset Counter** button can be clicked and the number of bytes received and transmitted will reset to **0**.

**CTS** - Clear to Send.

**RTS** - Ready to Send.

**DSR** - Data Set Ready.

**DCD** - Data Carrier Detect.

**DTR** - Data Terminal Ready.

An arrow on the right side represents the current status of the above signals.

**Up** (Green) means the signal is **High**.

**Down** (Gray) means the signal is **Low**.

 These signals (**CTS, RTS, DSR, DCD, DTR**) are only available in the RS232 model of the iServer.

#### 4.4.12.2 Diagnostics - Ethernet Port

This section of the webpage provides information about Ethernet packets sent/received by the iServer.

**TCP – Received** – TCP packets received by the iServer.

**TCP – Transmitted** – TCP packets transmitted by the iServer.

**UDP – Received** – UDP packets received by the iServer.

**UDP – Transmitted** – UDP packets transmitted by the iServer.

**ICMP – Received** – ICMP packets received by the iServer.

**ICMP – Transmitted** – ICMP packets transmitted by the iServer.


The **Reset Counter** button can be clicked and the number of bytes received and transmitted (of TCP, UDP or ICMP) will reset to **0**.

#### 4.4.12.3 Diagnostics - Ping

This option can be used to ping a network device and check if it's online or not.

**Host IP Address** – This represents the IP Address that the device to ping.

**Count** – This represents the no of times that the iServer will ping the network device.

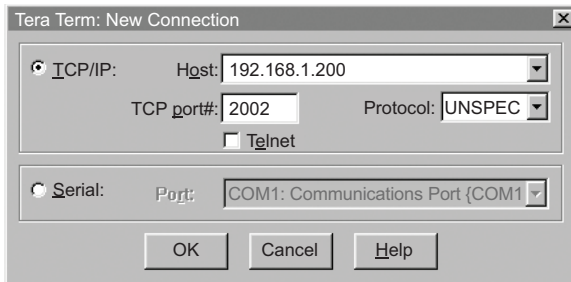
 All the ping packets sent by the iServer need to be replied in order for the iServer to announce the device is alive.

## 4.5 Telnet Setup

Telnet stands for Telecommunications Network, it is a protocol that provides a way for users (or clients) to connect to computers (or servers) on a network, whether in the next building or across the other side of the world.

You can open a Telnet session using other terminal emulation programs like Tera Term Pro (downloadable from the internet), which is a free software for MS-Windows. It supports VT100 emulation, Telnet connection and serial port connection.

Once the Telnet mechanism is decided we can open a session by simply typing the IP address of the iServer, and setting the Port on **2002** for logging into the iServer Configuration page, or **2000** for accessing the serial device connected to the iServer's serial port.



**Figure 4.27**  
**Tera Term Telnet Connection Screen**

```
EIT Standard
Administrator Password?00000000
EIT>p

Model:          EIT_W
Firmware Ver:   1.8.9

BD:  9600 (6)
DT:  8 bits (4)
PT:  None (1)
ST:  1 bit (1)
FC:  None (1)
DP:  Disabled (0)
MC:  00:03:34:00:0A:0B
IP:  192.168.1.200
SM:  255.255.255.0
GW:  0.0.0.0
LP:  12345678
SP:  00000000
CP:
TC:  Enabled (1)
SC:  Enabled (1)
CC:  Not Used (1)
DC:  Not Used (1)
WS:  Enabled (1)

EIT> _
```

**Figure 4.28a Telnet Setup / EIT**

```
EIS Compatible
Administrator Password?00000000
EIT>p

Model:          EIT_W
Firmware Ver:   1.8.9

BD:  9600 (5)
DT:  8 bits (1)
PT:  None (0)
ST:  1 bit (0)
FC:  None (0)
DP:  Disabled (0)
MC:  00:03:34:00:0A:0B
IP:  192.168.1.200
SM:  255.255.255.0
GW:  0.0.0.0
LP:  12345678
SP:  00000000
CP:
TC:  Enabled (1)
SC:  Enabled (1)
CC:  Not Used (1)
DC:  Not Used (1)
WS:  Enabled (1)

EIT> _
```

**Figure 4.28b Telnet Setup / EIS**

## 4.5 Telnet Setup (continued)

### EIT Standard (parameter setting in Section 4.4.2)

EIT>?

#### Available Commands:

1. RESET ( To reboot the device )
2. FACTORY ( To restore factory defaults )
3. ? ( Help/This screen )
4. c ( Confirm settings and write to the flash )
5. p ( Print the settings )
6. q ( Quit this console )
7. s -<ARG><VALUE> ( To change device settings )

Arg	Description	Value
BD	BaudRate	1-300, 2-600, 3-1200, 4-2400, 5-4800, 6-9600, 7-19200, 8-38400, 9-57600, 10-115200, 11-230400, 12-460800
DT	Data Bits	1-5 bits, 2-6 bits, 3-7 bits, 4-8 bits
PT	Parity	1-None, 2-even, 3-Odd
ST	Stop Bit	1-1 bit, 2-2 bits
FC	FlowControl	1-none, 2-sw, 3-hw
DP	DHCP	0-Disable, 1-Enable
IP	IP address	
SM	Subnet mask	
GW	Gateway	
DN	DNS server address	
LP	Login password	0-16 Alphanumeric chars
SP	Admin password	0-16 Alphanumeric chars
CP	Serial password	0-16 Alphanumeric chars
TC	Telnet console access	0-Disable, 1-Enable
SC	Serial console access	0-Disable, 1-Enable
WS	Webserver access	0-Disable, 1-Enable
CC	Connection Control	1-Not Used, 2-RTS+
DC	(RS485 not applicable)	3-RTS-, 4-DTR+, 5-DTR-
	Disconnection	1-Not Used, 2-DSR+
SR	(RS485 not applicable)	3-DSR-, 4-CTS+, 5-CTS-
	Secured readings, Charts	6-DCD+, 7-DCD-

#### Example:

To configure Baudrate 9600, 1 stop bit, and Odd Parity.

```
s -BD6 -PT3 -ST1
EIT>
```

**Figure 4.29a Telnet Setup - EIT Standard Help Page**

## 4.5 Telnet Setup (continued)

### EIS Compatible (parameter setting in Section 4.4.2)

EIT>?

#### Available Commands:

1. RESET ( To reboot the device )
2. FACTORY ( To restore factory defaults )
3. ? ( Help/This screen )
4. c ( Confirm settings and write to the flash )
5. p ( Print the settings )
6. q ( Quit this console )
7. s -<ARG><VALUE> ( To change device settings )

Arg	Description	Value
BD	BaudRate	0-300, 1-600, 2-1200, 3-2400, 4-4800, 5-9600, 6-19200, 7-38400, 8-57600, 9-115200, 10-230400, 11-460800
DT	Data Bits	0-7 bits, 1-8 bits, 2-5 bits, 3-6 bits
PT	Parity	0-None, 1-Odd, 2-Even
ST	Stop Bit	0-1 bit, 1-2 bits
FC	FlowControl	0-none, 1-sw, 2-hw
DP	DHCP	0-Disable, 1-Enable
IP	IP address	
SM	Subnet mask	
GW	Gateway	
DN	DNS server address	
LP	Login password	0-16 Alphanumeric chars
SP	Admin password	0-16 Alphanumeric chars
CP	Serial password	0-16 Alphanumeric chars
TC	Telnet console access	0-Disable, 1-Enable
SC	Serial console access	0-Disable, 1-Enable
WS	Webserver access	0-Disable, 1-Enable
CC	Connection Control	1-Not Used, 2-RTS+
DC	Disconnection (RS485 not applicable)	3-RTS-, 4-DTR+, 5-DTR-
		1-Not Used, 2-DSR+
SR	Secured readings, Charts	3-DSR-, 4-CTS+, 5-CTS-
		6-DCD+, 7-DCD-
		0-Disable, 1-Enable

#### Example:

To configure Baudrate 9600, 1 stop bit, and Odd Parity.

```
s -BD5 -PT1 -ST0  
EIT>
```

**Figure 4.29b Telnet Setup - EIS Compatible Help Page**



## 4.5 Telnet Setup (continued)

 **Note**

The default password for Telnet Login is 00000000 and can be changed if desired.

In the Configuration mode you can make any changes just like you would using the Web Browser. After connected to the iServer, the user can use the following commands to read, modify, and get help from the iServer console.

- p** Following with a return character, the console will show the iServer configurations (**Figure 4.28**).
- ?** Following with a return character, the console will show all the commands and options (**Figure 4.28**).
- s** Is the configuration command, used to set a new setting (see the example in **Figure 4.29**)
- RESET** Following with a return character, it will recycle the Power on the iServer.
- FACTORY** Following with a return character, it will set the iServer to it's factory default settings.
- c** The current settings will be stored permanently .
- q** quit

## 4.6 HTTPget Program

You can setup and read the information from the iServer by using the HTTPget program. The following program can be used to read data from the embedded server firmware by using TCP port "1000". The command sends this string to TCP port 1000 and reads back the response from the same port. Whatever you write to the port goes to the serial port unmodified. Any response from the serial port can be read back from the same socket.

The HTTPget.exe file is used to setup and read information from the iServer. This file will be automatically installed when you install the **Mail Notifier** software available on our website.

Example to use the HTTPget program:

1. Create a directory **C:\iServer\HTTPget**
2. Copy HTTPget.exe and readme\_features.doc files to this directory.
3. Make sure that you are in this directory and then enter the following test program:

```
C:\iServer\httpget>httpget -r -S "*01X01\r" 192.168.1.200:1000
```

**where:**

**-r -S** are parameters needed for the command string  
**\*01** is device address (in hex format) for RS485 communication interface (skip for RS232)  
**X01** read measurement data value (iSeries protocol)  
**\r** is the carriage return termination character  
**192.168.1.200** is an IP address  
**1000** is a local port number

**Response:**

**01X01074.3**

**where:**

**01X01** is Echo command  
**074.3** is a display reading of the 4-digit device



In the example above the 4-digit iSeries controller has been connected to the serial communication port of iServer.

## 4.7 ARP Protocol

ARP is the Internet layer protocol responsible for matching or obtaining the MAC (hardware) address that corresponds to a particular IP address. The ARP command allows the user to view the current contents of the ARP cache of the local computer (residing on the same network) or remote computer (residing on the different network) through a router.

Microsoft includes the ARP.EXE utility for viewing and modifying the ARP cache with its Windows products. The following ARP commands can be used to view cache entries:

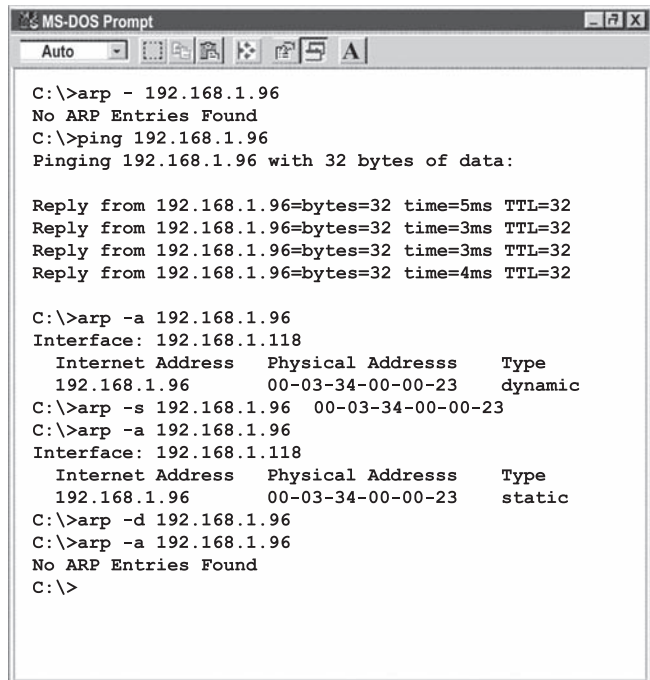
- **arp -a** → Use this command to view all ARP cache entries.
- **arp -a** plus **IP address** → Use this command to view ARP cache entries associated with one particular interface on a network with multiple adapters.
- **arp -g** → Same as **arp -a**.
- **arp -N** → Use this command to display ARP entries for specific network interface.
- **arp -s** plus **IP address** plus **Physical address** → Use this command to manually add a permanent static entry to the ARP cache.
- **arp -d** → Use this command to manually delete a static entry.

**Note**

Ping the destination computer using IP address first before using the **arp -a** command.

The following window shows examples of arp commands and responses.

- Your computer has an IP address of **192.168.1.118**
- The destination computer has an IP address of **192.168.1.96**



```
C:\>arp - 192.168.1.96
No ARP Entries Found
C:\>ping 192.168.1.96
Pinging 192.168.1.96 with 32 bytes of data:

Reply from 192.168.1.96=bytes=32 time=5ms TTL=32
Reply from 192.168.1.96=bytes=32 time=3ms TTL=32
Reply from 192.168.1.96=bytes=32 time=3ms TTL=32
Reply from 192.168.1.96=bytes=32 time=4ms TTL=32

C:\>arp -a 192.168.1.96
Interface: 192.168.1.118
   Internet Address      Physical Address      Type
   192.168.1.96         00-03-34-00-00-23    dynamic
C:\>arp -s 192.168.1.96 00-03-34-00-00-23
C:\>arp -a 192.168.1.96
Interface: 192.168.1.118
   Internet Address      Physical Address      Type
   192.168.1.96         00-03-34-00-00-23    static
C:\>arp -d 192.168.1.96
C:\>arp -a 192.168.1.96
No ARP Entries Found
C:\>
```

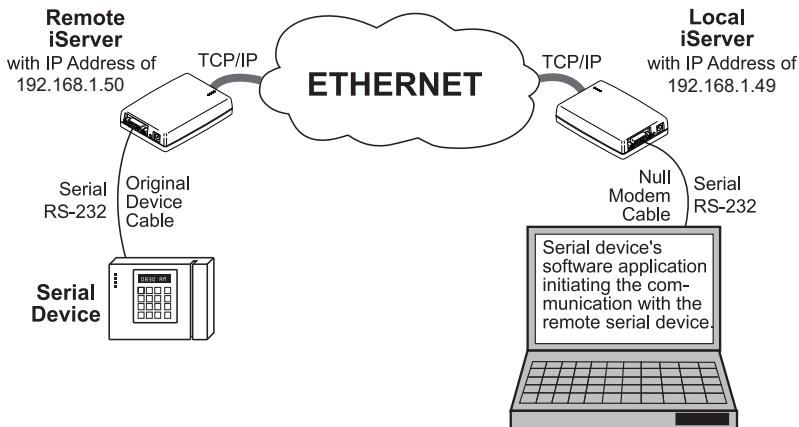
Figure 4.30 ARP Commands and Responses

## 4.8 Remote Access (Tunneling)

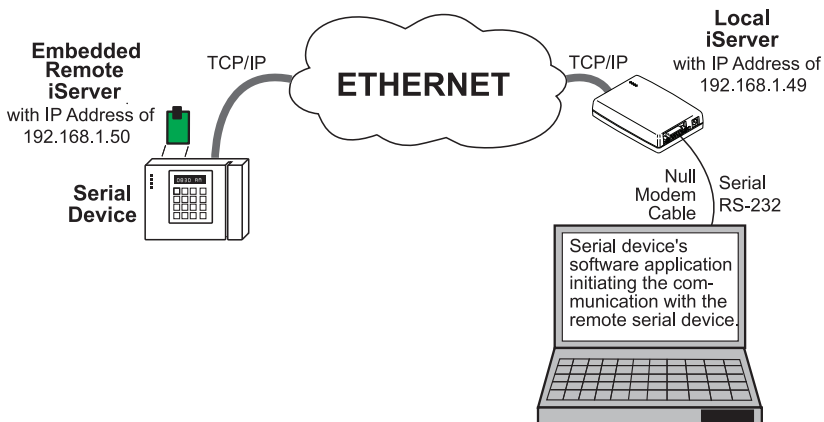
To "tunnel", in this context, is to transmit data between two points through a private conduit on a shared or public network. The network could be an Ethernet LAN, a WAN, or the Internet. The iServer allows for a connection between a serial device and a PC, or between two serial devices, using an existing network rather than dedicated wiring.

Today, there are a number of serial devices like sensors, gauges, PLCs, card readers, security alarms, barcode scanners, data loggers, video cameras, ATM machines, time & attendance terminals, medical lab equipments, electronic signboards, and many others that are directly connected to PCs via their serial ports. These devices can be attached to shared Ethernet networks (TCP/IP protocol) and get accessed, controlled, and managed remotely using the iServer products.

Any two iServer's can talk to each other over the Ethernet LAN, WAN, and Internet using TCP/IP protocol. Therefore, the connected serial devices to iServer's can also communicate with each other back and forth over these networks. This characteristic is called Tunneling and it's illustrated in **Figures 4.31 and 4.32**.

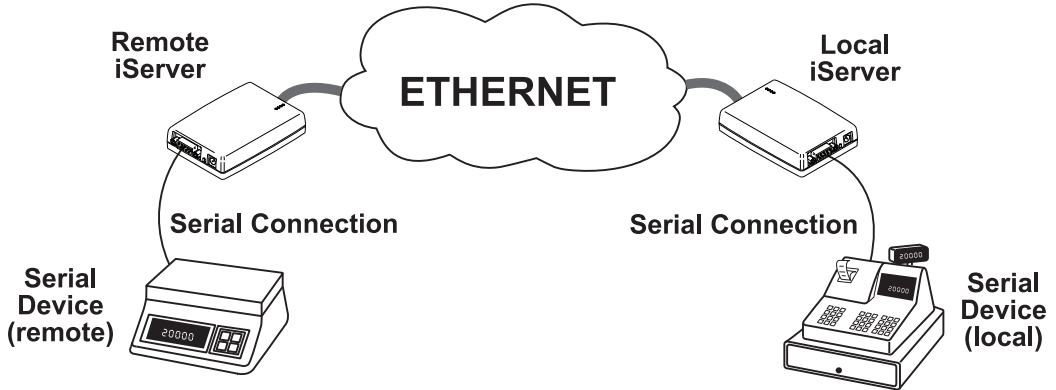


**Figure 4.31a Serial Tunneling -**



**Figure 4.31b Serial Tunneling - Embedded PCB**

## 4.8 Remote Access (Tunneling) (continued)



**Figure 4.32 Device-to-Device Communication**

In order to use this Tunneling feature, some settings are required within the local and remote iServer's.

### 4.8.1 Remote iServer

It's recommended to configure the Remote iServer and have it up and running before the Local iServer is configured.

1. A static IP address must be assigned to the Remote iServer. This means that the DHCP must remain disabled.  
Refer to the DHCP section of the user's manual for details.
2. Use a browser to access the Remote iServer's WEB page. Simply type the iServer's IP address at the browser's URL location (i.e. **192.168.1.50**) followed by an **Enter** key. You should then see the iServer's main WEB page.
3. Click on the OK button after entering the LOGIN password.
4. On the SERIAL page, under *Serial Port* section (see **Figure 4.9** or **4.10**) make sure the parameters: **Baud Rate**, **Data Bits**, **Parity**, **Stop Bits**, and **Flow Control** match the serial communication settings of your attached serial device.
5. Under *Packing Techniques* section (see **Figure 4.12**) make sure to set the **End Character (Hex)** to **00** and the **Buffering Time** is set to **0**.
6. Under *Network-to-Serial* section (see **Figure 4.11**) set **Number of Connections** to **1** or higher.
7. Click on **Save** button for the changes to take place.

Make sure that the serial cable and communication settings between the iServer and the serial device are valid.

## 4.8.2 Local iServer

1. An IP address should be assigned to the iServer dynamically or statically (recommended).
2. Use a browser to access the Local iServer's WEB page. Simply type the iServer's IP address at the browser's URL location (i.e. **192.168.1.49**) followed by an **Enter** key. You should then see the iServer's main WEB page.
3. Click on the OK button after entering the LOGIN password.
4. Click on NETWORK page, you will be prompted with a Password (default is 00000000).
5. On the SERIAL page, under *Serial Port* section (see **Figure 4.9** or **4.10**), make sure the parameters: **Baud Rate**, **Data Bits**, **Parity**, **Stop Bits**, and **Flow Control** match with your attached serial device and its application software.
6. Under *Packing Techniques* section (see **Figure 4.12**), make sure to set the **End Character (Hex)** to **00** and the **Buffering Time** to **0**.
7. Under *Multi-host* section (see **Figure 4.33**), set the **Connection Type** to **Simultaneous/ Sequential**, enter the **Remote IP address** (would be the IP address of the remote iServer, 192.168.1.50), and use the default **Remote Port** number **2000**.

Set **Retry Counter** to anything more than **0** and set the **Retry Timeout** to a desired value.

If the tunneling connection between the two iServers goes down due to network problems, power failure, etc., the *Sequential* connection type option will enable the Local iServer to reconnect with the Remote iServer based on the specified time interval in the Retry Timeout.

For example, based on a timeout of 10000 (10 seconds), the Local iServer will continually attempt to reconnect and reestablish the tunnel with the Remote iServer every 10 seconds.

9. Click on **Save** button for the changes to take place.
10. Initialize the serial device application software to establish the connection.

## 4.8.2 Local iServer (continued)

Address

Serial Port   Network-to-Serial   Packing Techniques   **Multi-host Connection**

### MULTI-HOST CONNECTION

Connection Type

Retry Counter

Retry Timeout

No	Host Address	Port
1	192.168.1.50	2000
2	0.0.0.0	0
3	0.0.0.0	0
4	0.0.0.0	0
5	0.0.0.0	0
6	0.0.0.0	0
7	0.0.0.0	0
8	0.0.0.0	0
9	0.0.0.0	0
10	0.0.0.0	0
11	0.0.0.0	0
12	0.0.0.0	0

Figure 4.33 SERIAL - Multi-Host Connection

### 4.8.3 Tunneling Troubleshooting

Using the original serial cable, please confirm valid communication between the serial device and its application software on the PC with no iServers in between (direct serial connection). Otherwise, reset the power, first on the remote iServer and then on the local iServer and recheck for Connection type drop down menu as simultaneous.

A quick way to check the LAN and serial tunneling connection is to separately access each iServer WEB page via the Ethernet. If successful, this should prove a valid LAN connection.

For serial tunneling, open a HyperTerminal session on the PC pointing to the same COM port to which the Local iServer is connected and type/send some characters. This should cause the **Rx Receive** LED on the Local iServer to blink as it receives the data from the serial port and onto the LAN. Accordingly, the **Tx Transmit** LED on the Remote iServer should blink as it transmits the data from the LAN into the serial device. If no LEDs blink, then that could possibly point to the iServer connection in trouble - particularly, the serial cabling and/or the serial settings (Baud rate, stop bit, parity, etc.) throughout the communication path between the PC, the iServer, and the serial device.

### 4.9 iPORT, COM Port Redirector

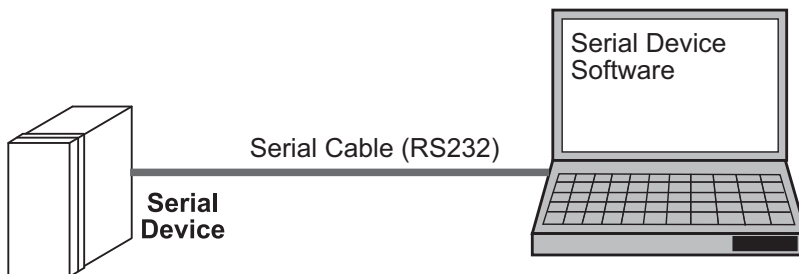
To obtain the iPORT software (iPORT.exe file) please use the phone number, as listed on the cover of this manual, to contact the Sales Department nearest you.

To install the iPORT application, simply double-click on the iPORT.exe file and follow the installation steps. The iPORT is compatible with Windows NT, 2000, and XP operating systems.

#### 4.9.1 iPORT Overview

The iPORT is a COM port redirecting software for Windows NT, 2000, and XP. Its function is to redirect connections that are destined for a local serial (COM) port on a PC, to an iServer network-enabling device on the LAN.

In a direct serial connection, application software can communicate directly over an RS232 or RS485 with a serial device (**Figure 4.34**).



**Figure 4.34 Direct Serial Connection**

By installing iPORT software on the same PC, the iPORT will redirect the serial connection from the COM port to the network port on that PC. The connection can simply reach the serial device through an iServer sitting anywhere on an Ethernet network (**Figure 4.35**).



### 4.9.1 iPORT Overview (continued)

This connection redirection is totally transparent to the serial device and its application software. Once the connection is up from the PC to the serial device, the data is transmitted across the Ethernet network to the serial device and back from the serial device to the PC, all through the iServer and the iPORT.

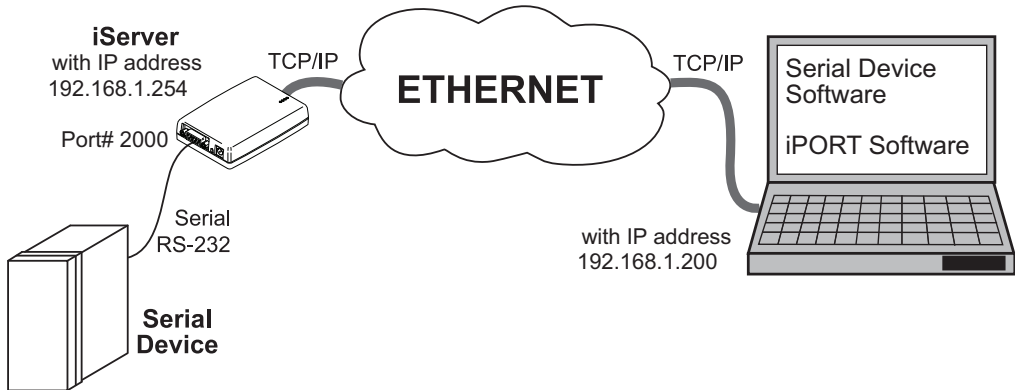


Figure 4.35a Redirect Serial Connection

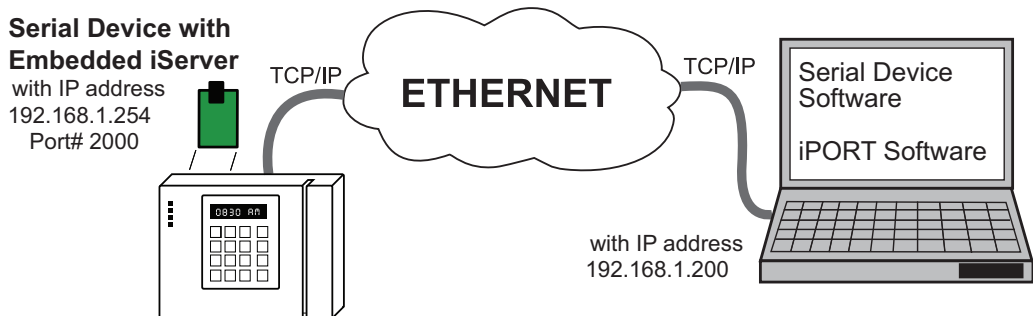


Figure 4.35b Redirect Serial Connection - Embedded PCB iServer

### 4.9.2 iPORT Configurations

After the iPORT is successfully installed on your windows machine, you will have an iPORT icon on your desktop and Control Panel window. By double-clicking on this icon, you can start the application and the iPORT main window will appear on your screen, see **Figure 4.36**.

Click on "COM Ports" button and you will see the window shown in **Figure 4.37**. Select the appropriate COM port (this should be the same COM port that your application software uses). The selected COM port will then appear on the main iPORT window. By highlighting the selected COM port, you will be able to add the IP address and the port number to connect that COM port to the iServer on the network.

Up to 255 COM ports can be selected and each can have a different IP configuration pointing to different iServers on the network. This enables users to simultaneously redirect different application software to connect to serial devices attached to networked iServers.

## 4.9.2 iPORT Configurations (continued)

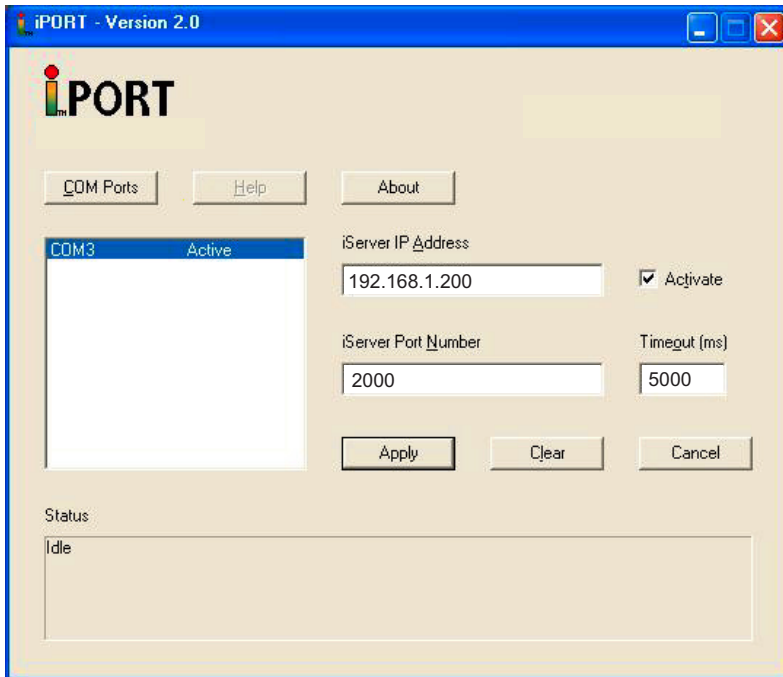


Figure 4.36 iPORT Main Window

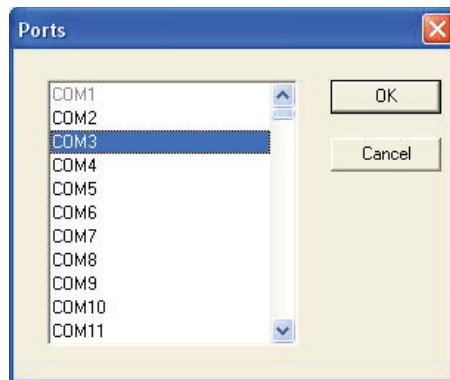


Figure 4.37 COM Port Window

**iServer IP Address** – This is the IP address of the iServer that is connected to the serial device on one end and attached to the Ethernet LAN on the other end. The iServer’s default IP address is **192.168.1.200**, which can be changed to fit your network IP address range (see **Section 4**).

**iServer Port Number** – This is the port number for the iServer’s local serial port. The default value is 2000. If this port number is changed in the iServer’s Configuration page (see **Section 4.4.3.2**), the same number should be placed in the iPORT window.

## 4.9.2 iPORT Configurations (continued)

**Activate** – If this box is checked, the selected COM port will be available for network connection. If it is unchecked, the selected COM port will be in sleep mode.

**Timeout** – This is the amount of time (in milliseconds) in which the iPORT keeps the application software waiting before the device response is arrived. The default value is 5 seconds and it can be set between 0 to 10 seconds.


**Status** – This window shows the connection status as the iPORT makes connection to the iServer or disconnects from the iServer. The connection status can be ideal, connecting, connected, or disconnected along with the IP address of the iServer shown in the Status window.

**Apply button** – To save the configuration for a selected COM port, click on the "Apply" button and reboot your PC for settings to take place in your Windows registry.

**Clear button** – This button deletes the settings for a selected COM port.

**Cancel button** – This button closes the iPORT window without saving the settings.

In **Figure 4.36**, if a COM port number is dimmed and cannot be selected, it means that the COM port is already used by another application or it could be a physical serial COM port on that PC.

 **Note** The serial communication settings (baud rate, data bit, stop bit and parity) of your application software must be identical to the serial communication settings of the iServer's serial port and your serial device's port connected to the iServer. You can use a Web browser to log into the iServer and configure its serial port's settings (see **Section 4.4.3**).

## 4.10 Mail Notifier Software

The Mail Notifier Software can only be used with our brand of instruments. For complete information of how to use the Mail Notifier software, click on the Help menu of the main window.

The Mail Notifier software generates email notifications for alarm conditions. Users can be notified automatically of alarm conditions monitored via internet connections throughout the world. By use of the email forwarding of alarm conditions, alarm conditions can be monitored on a network isolated from the internet and forwarded to connections on the Internet.

The Mail Notifier utility operates under Windows 98, NT 4.0, 2000, and XP in conjunction with existing email that supports the MAPI messaging interface. If MS Outlook has been loaded, the MAPI support should be available.

### 4.10.1 Installation

The Mail Notifier must be loaded on a computer running Microsoft Windows (versions specified earlier) using an email program that provides MAPI access. Network access must be available between this computer and the iServer. Network access must also be available from this computer to the appropriate email server and from the email server to the recipient's email server.

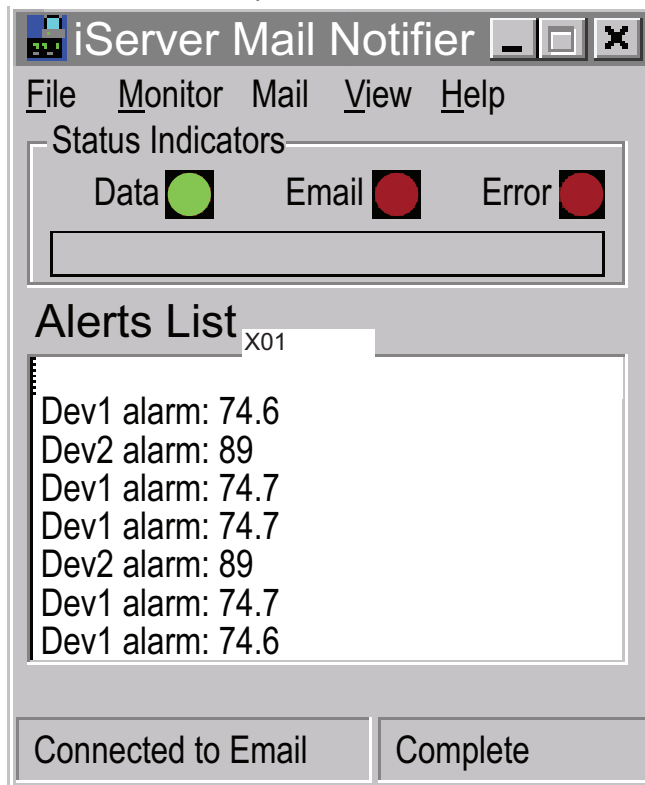


Figure 4.38 iServer Mail Notifier Main Window

## 4.10.2 Program Options Setup and Configuration

Complete program setup requires:

- Entering a recipient for the email
- Specifying connection details to MAPI services.
- Defining alarms for devices, and selecting how and when the email will be active.

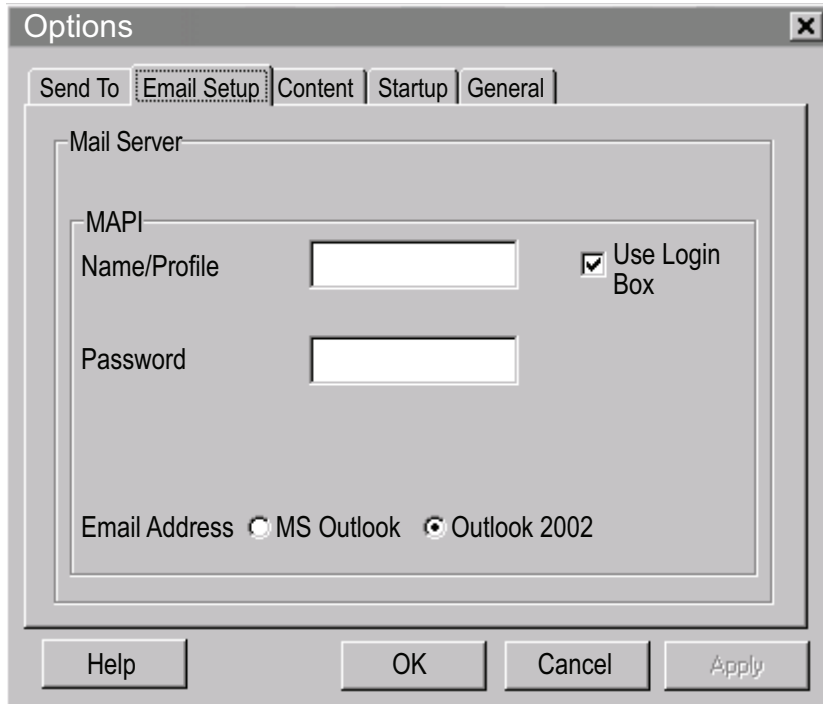


Figure 4.39 iServer Mail Notifier Profile Setup

### Email Address Setup

The email addresses must be entered using individual addresses or alias. Select "Options" from the "View" menu and enter the email addresses on the "Send To" screen. This will be the list of email addresses to which alarm notifications will be sent.

### Email Setup

The Mail Notifier is compatible with original MS Outlook™ and Outlook™ 2002 to 2005.

The Mail Notifier will attempt to automatically identify whether the Outlook is a newer version. A red bar appears under the Mail Notifier splash window to confirm that the detection of the 2002 or newer version is acceptable. With the newer versions, no additional steps should be taken to enable the connection between the Mail Notifier and the Email server.

#### Note

MS Outlook tends to require that the users respond to a "login box" in order for email access to be activated for Mail Notifier. Some other email clients may allow for Mail Notifier to gain access without user login, as may be desired for a system recovering from a power outage. See the Help files for more information.

### 4.10.3 Device Setting and Configuration

Device setup requires:

- Entering the IP Address for iServer device (for example **192.168.1.200**).
- Specifying Socket (or Port) Number (1000 or 2000 depending on iServer settings).
- Defining RS485 Unit # interface address (1 to 199). Enter "0" for RS232 interface or for iServer.
- Entering Reading Command. Normally set to **X01** to obtain reading from the devices. If you want to change this setting, refer to HTTPget **Section 4.6**.
- Defining the Alarm Setup (High/Low, High value, or Low value).
- Specifying Pause Interval. It determines how many seconds each subsequential alarm notification will be sent.
- Determining Monitor Interval. It establishes the interval or time resolution in seconds for which readings will be obtained from the device.

The screenshot shows the 'Alarm Editor' dialog box with the following fields and controls:

- Device Info (1 of 2)**
  - Server IP Address: 192.168.1.200
  - Socket Number: 2000
  - Bus Address/Device ID: 3
  - Description: (empty)
  - Src ID: Dev1
  - Reading Cmd: zRdgA
- Buttons:** OK, Cancel, Help, Add, Del
- Only Monitor Access to iServer device
- Alarm Configuration**
  - Alarm Type: Alarm High (dropdown)
  - Info Message: (empty)
  - Alarm High: 73
  - Email Interval: 0.05 hrs.
  - Alarm Low: 0
  - Monitor Interval: 0.5 min.
  - Alarm Hold Time: 0.0 min.

Figure 4.40 iServer Mail Notifier Device Setting

#### 4.10.4 Sending Txt Messages to a Cell Phone

Once you install the Mail Notifier Software and configure it to work with any of our networking products, you can use the following format to have Mail Notifier send a text message to your cell phone. Since most cell phones are capable of receiving text messages you just need to find the correct email format for your cell phone provider and use it within the Mail Notifier environment.

T-Mobile        phone\_number@tmomail.net  
Virgin Mobile   phone\_number@vmobl.com  
AT&T            phone\_number@txt.att.net  
Sprint           phone\_number@messaging.sprintpcs.com  
Verizon          phone\_number@vtext.com  
Nextel           phone\_number@messaging.nextel.com  
“phone\_number” is your 10 digit cell phone number.

#### 4.11 iLog Software

The iLog Software can only be used with our brand of instruments.

This is an Excel application software that can log values from the serial device over the local network (Ethernet) or the internet.

- Download the iLog software from the website listed on the cover of this manual.
- Install iLog software on a networked PC. This software is compatible with Windows 95, 98, NT, 2000, XP, Vista, and Windows 7 (32 and 64-bit).
- If you have Excel 2007 or higher, when installing iLog choose “Custom” installation option and on the next window check the box for “Excel 2007 Apps” and continue the installation to the end.
- For complete information of how to use the iLog software, click on the HELP button.
- There is a list of Error Messages in **Appendix E**.

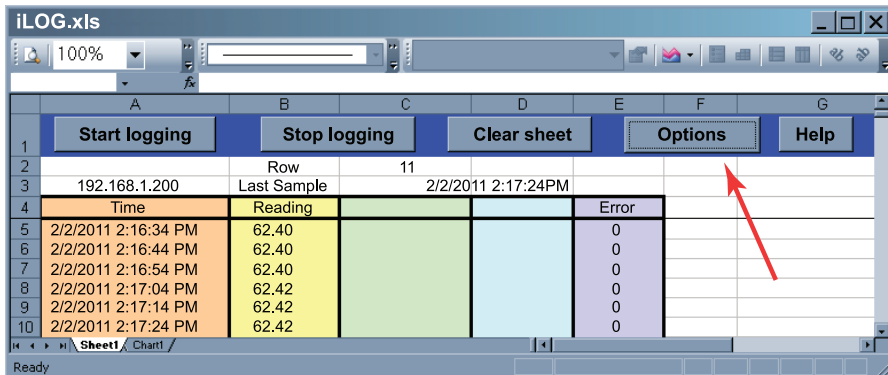


Figure 4.41 iLog Software Logging Data for an iSeries



The Options button will let you select the product model. Choose your device type from the Model Selection pull-down menu (from General tab).

## 4.11 iLog Software (continued)

**Table 4.1 iLog Excel Applications**

The iLog application actually consists of several Excel files, though most supported devices can be accessed by the main iLog program. The main program is listed as "iLog", plus a version number, under the Start Menu program links (those links available by clicking the Start button on the Windows taskbar).

In the following table, the iLog File column shows how many sensors are logged by the main iLog file. If more than 3 sensors are available, then the Alternate column shows how many sensors the device can support. Devices with more than 3 sensors will have their own Excel file. For these files, click on the model device found in the Start Menu.

<b>Networked Product</b>	<b>iLOG File</b>	<b>Alternate</b>
iTHX-W, iTHX-2	3 column	
iTHX-M, iTHX-SD	3 column	
iTHX-W Dual Probe	1st probe / 3 column	6 column
iSE-TC, iSD-TC	3 column	5 column
iSE-TH, iSD-TH	3 column	5 column
iBTHX-W, iBTHX-D	3 column	4 column
iBTX-M, iBTX-SD	2 column	
iPTX-W	2 column	
iTCX	3 column	
iTH Controller	3 column	
iVI	3 column	4 column
<b>iSeries</b>	1 column	
iDRX/iDRN	1 column	
INF-B	1 column	

### **Wireless Devices**

The "Auto" column shows number of columns per remote device that are possibly displayed.

The Full column shows number of columns allocated per device for the "Full" spreadsheet, which will be able to display all data for all active devices.

<b>Networked Product</b>	<b>Auto</b>	<b>Full</b>
zSeries Receiver and Remotes	1 to 4 column / device	4 column / 32 device
wiSeries with zED Remotes	1 to 2 column / device	2 column / 32 device
UWTC REC-3 and Remotes	1 or 2 column / device	2 column / 32 device
wiSeries with UWTC Remotes	1 to 2 column / device	2 column / 32 device

The active wireless devices, when shown in the Excel application, will be shown with the device number and the units returned.



## PART 5 SPECIFICATIONS

### Serial Interface

<b>Interface:</b>	RS232 or RS485 (2 and 4-wire)
<b>Connector:</b>	DB9 (male DTE) for RS232 <b>(EIT-W)</b> ; DB9 (male DTE) for RS485 <b>(EIT-W-485-DB9)</b> ; 8 position Terminal Block plugs for RS485 <b>(EIT-W/D-485)</b> ; pin header holes 2.54 (0.10") centers <b>(EIT-PCB)</b>
<b>Serial Data Rates:</b>	300 to 460,800 bps
<b>Characters:</b>	5, 6, 7, or 8 data bits
<b>Parity:</b>	odd, even, or none
<b>Stop Bits:</b>	1 or 2
<b>Flow Control:</b>	Hardware (RTS/CTS) and Software (Xon/Xoff)
<b>Digital I/O's</b>	1 to 6 programmable input/output lines, depending on model (see <b>Section 2.4</b> )

### Network Interface

<b>Interface:</b>	Fixed or auto-negotiating 10/100BASE-T half/full duplex Ethernet with auto MDI/MDIX
<b>Connector:</b>	RJ45
<b>Protocols:</b>	TCP, UDP, SNMP, SMTP, TFTP, ICMP, Telnet, DHCP, DNS, HTTP, ARP, and Modbus TCP/IP
<b>Compliant to Standard:</b>	IEEE 802.3
<b>Indicators (LED's):</b>	100BASE-T (green), Network Link/Activity (green), Serial Transmit Tx (yellow), Serial Receive Rx (green); Power (green)
<b>Processor CPU:</b>	ARM7, 72 MHz
<b>Processor Memory:</b>	512 Kbyte Flash, 32 Kbyte SRAM
<b>Embedded Web Server:</b>	Serves dynamic Web pages and Java applets
<b>Management:</b>	Device configuration and monitoring through Embedded Web Server, Telnet login, Serial login, iConnect

## 5 Specifications (continued)

### General

<b>Power Input (EIT-W):</b>	5 Vdc @ 220 mA max.
<b>Consumption:</b>	1.1 W max.
<b>Operating Temperature:</b>	-5 to 55°C (23 to 131°F)
<b>Storage Temperature:</b>	-40 to 100°C (-40 to 212°F)
<b>Ethernet Isolation:</b>	1500 Vrms

#### **Safety Qualified ac Power Adapter (included):**

<b>Nominal Output:</b>	5 Vdc @ 600 mA
<b>Input:</b>	100 to 240 Vac, 50/60 Hz
<b>Adapter Operating Temp:</b>	0 to 40°C (32 to 104°F)

<b>Power Input (EIT-D):</b>	10 to 32 Vdc
<b>Consumption:</b>	2.5 W max (DC Power supply sold separately: iDRN-PS-1000)
<b>Operating Temperature:</b>	-5 to 55°C (23 to 131°F)
<b>Storage Temperature:</b>	-40 to 100°C (-40 to 212°F)
<b>Ethernet Isolation:</b>	1500 Vrms
<b>Power to Comm/Ethernet Isol:</b>	500 Vrms

<b>Power Input (EIT-PCB):</b>	5 Vdc @ 220 mA max.
<b>Consumption:</b>	1 W max.
<b>Operating Temperature:</b>	-40 to 85°C (-40 to 185°F)
<b>Storage Temperature:</b>	-40 to 100°C (-40 to 212°F)

<b>Software:</b>	<b>iConnect</b> Configuration software; <b>iPort</b> COM Port Redirector; <b>iLog</b> (Excel-based software for automatic data logging); <b>Mail Notifier</b> (email alarm notification software).
<b>Firmware Upgrade:</b>	Over Ethernet

**PART 6  
FACTORY PRESET VALUES**

<b>PRESET PARAMETERS</b>	<b>FACTORY DEFAULTS</b>
<b>Network Interface:</b>	
DHCP	Disabled
IP Address	192.168.1.200
Subnet Mask	255.255.255.0
Gateway Address	0.0.0.0
DNS Address	0.0.0.0
Host name	eitxxxx (x = last 4 digits from the MAC address)
Protocol	TCP
Web Server Port	80
Ethernet Port	Auto-negotiation
Parameter Settings	EIT Standard
<b>Serial Interface:</b>	
Baud Rate	9600
Data Bit	8 bits
Parity	None
Stop Bit	1 bit
Flow Control	None
Number of Connections	5
Local Port	2000
Connection Control	Not Used
End Character	00 (Hex) (Carridge Return)
Buffering Time	500 msec
Packet Length	0 bytes
Inactivity Timeout	0 sec
Disconnect	None
Multi-Host Connection	Disabled

## APPENDIX A

## GLOSSARY

User of this manual should be familiar with following definitions:

**ARP (Address Resolution Protocol)** is a protocol for mapping an Internet Protocol address (IP address) to a physical machine address that is recognized in the local network. For example, the IP address in use today is an address that is 32-bits long. In an Ethernet local area network, however, addresses for attached devices are 48-bits long. (The physical machine address is also known as a Media Access Control or MAC address.) A table, usually called the ARP cache, is used to maintain a correlation between each MAC address and its corresponding IP address. ARP provides the protocol rules for making this correlation and providing address conversion in both directions.

**Ethernet** is a network protocol defined by the IEEE 802.3 standard. Ethernet-based networks use MAC Address rather than IP Address to exchange data between computers. By using ARP and adding TCP/IP support, Ethernet devices may be connected as part of the Internet. An Ethernet LAN typically uses coaxial cable or special grades of twisted pair wires. The most commonly installed Ethernet systems are called 10/100BASE-T and provide transmission speeds up to 100 Mbps. Devices are connected to the cable and compete for access using a Carrier Sense Multiple Access with Collision Detection (CSMA/CD) protocol.

**IP (Internet Protocol)** is the method or protocol by which data is sent from one computer to another on the Internet.

**IP address (Internet Protocol address)** is a 32-bit number that identifies each sender or receiver of information that is sent in packets across the Internet.

**IP Netmask** is a 32-bit pattern of bits used to determine which part of the IP address is the network portion and which part is the host portion.

**MAC (Media Access Control) Address** is your computer's unique hardware number. When you're connected to the Internet from your computer, a correspondence table relates your IP address to your computer's physical (MAC) address on the LAN.

**Ping** is a utility that tests the network connectivity. It is used to determine if the host is capable of exchanging information with another host.

**Port number/Socket number** is a way to identify a specific process to which an Internet or other network message is to be forwarded when it arrives at a server. It is a predefined address that serves as a route from the application to the Transport layer or from the Transport layer to the application of the TCP/IP system.

**Sockets** are a method for communication between a client program and a server program in a network and defined as "the endpoint in a connection." Information transferred across the Internet primarily occurs between sockets.

**SMTP** Simple Mail Transfer Protocol is an Internet standard for electronic mail (email) transfer across the Internet. SMTP clients usually use SMTP to send email messages by specifying the SMTP server. The email server uses SMTP to both send and receive email messages.

**SNMP** Simple Network Management Protocol is a network monitoring protocol to monitor devices connected to an Ethernet Network.

**TCP/IP (Transmission Control Protocol/Internet Protocol)** is the basic communication language or protocol of the Internet. When you are set up with direct access to the Internet, your computer is provided with a copy of the TCP/IP program just as every other computer that you may send messages to or get information from also has a copy of TCP/IP. TCP/IP often is used as a general term to indicate generic access to the Internet.

**Terminating Resistor** is a resistor placed at the extreme end or ends of the RS-485 serial cable (across the -Tx/Rx and +Tx/Rx). On one end where the iServer is connected a 120-ohm terminating resistor is built in internally therefore there is no need for termination. However, on the end where the RS-485 device is connected, if the device does not have an internal terminating resistor you should connect a 120-ohm resistor across the -Tx/Rx and +Tx/Rx wires (see **Wiring RS485 Interface Section**). Lack of termination can cause data corruption due to electrical noise sensitivity. The value of the terminating resistor is ideally the same value as the characteristic impedance of the cable (typically, 120 ohms for twisted pairs).

## Appendix B

## IP Address

An IP address is a unique 32-bit address assigned to a computer and includes:

- A network ID number identifying a network.
- A host ID number identifying a computer on the network.

All IP addresses have been divided into three smaller groups (classes) A, B and C

- **Class A** addresses have 8-bits of network ID and 24-bits of host ID. They can support a large number of hosts, approximately  $2^{24} = 16,777,216$  computers per network.

The IP addresses range in binary from 00000001.xxxxxxxx.xxxxxxxx.xxxxxxxx to 01111111.xxxxxxxx.xxxxxxxx.xxxxxxxx

The IP addresses range in decimal from 1.x.x.x to 127.x.x.x

Class A network ID's support a very large number of hosts.

- **Class B** addresses have 16-bits of network ID and 16-bits of host ID. They can support approximately  $2^{16} = 65,536$  computers per network.

The IP addresses range in binary from 10000000 00000000.xxxxxxxx.xxxxxxxx to 10111111 11111111.xxxxxxxx.xxxxxxxx

The IP addresses range in decimal from 128.0.x.x to 191.255.xxx.xxx

Class B network ID's support a medium number of hosts.

- **Class C** addresses have 24-bits of network ID and 8-bits of host ID. They can support approximately  $2^8 = 256$  computers per network.

The IP addresses range in binary from 11000000.00000000.00000000.xxxxxxxx to 11011111.11111111.11111111.xxxxxxxx

The IP addresses range in decimal from 192.0.0.xxx to 223.255.255.xxx

Class C network ID's support a small number of hosts.



The rest of the addresses are divided into two classes, D and E.

**Class D networks** are not assigned to the host. They are used for multicasting.

The address range from 224.x.x.x to 239.x.x.x

**Class E** networks are experimental or reserved addresses.

The address range from 240.x.x.x to 247.x.x.x

## Appendix C

## IP Netmask

IP Netmask or Subnet Mask is a 32-bit pattern of ones and zeros used to determine network portion of an IP address from the host portion of the IP address. Subnet mask is a network ID that is created by borrowing bits from host portion of IP address and using them as part of a network ID. The table below shows a default subnet mask for address Classes A, B, and C. Each bit that is set to "1" in the subnet mask corresponds to the bit in the IP address that is to be used as the network ID. Each bit that is set to "0" in the subnet mask corresponds to a bit in the IP address that is to be used as the host ID.

Address Class	Mask Binary Value	Mask Decimal Value or Dotted Notation
Class A	11111111 00000000 00000000 00000000	255.0.0.0
Class B	11111111 11111111 00000000 00000000	255.255.0.0
Class C	11111111 11111111 11111111 00000000	255.255.255.0

If your network requires more network ID's, you can extend the default subnet mask to include additional bits from the host ID. This allows for additional network ID's within the network. The table below shows some examples of subnet masks and bits moved from the hosts ID to create a new subnet.

Mask Dotted Notation	Mask Binary	Mask Bits
<b>Class A</b>		
255.0.0.0 (Default)	11111111 00000000 00000000 00000000	0
255.192.0.0	11111111 11000000 00000000 00000000	2
255.224.0.0	11111111 11100000 00000000 00000000	3
255.240.0.0	11111111 11110000 00000000 00000000	4
255.248.0.0	11111111 11111000 00000000 00000000	5
255.252.0.0	11111111 11111100 00000000 00000000	6
255.254.0.0	11111111 11111110 00000000 00000000	7
255.255.0.0	11111111 11111111 00000000 00000000	8
255.255.128.0	11111111 11111111 10000000 00000000	9
255.255.192.0.0	11111111 11111111 11000000 00000000	10
.....	.....	.
255.255.255.252	11111111 11111111 11111111 11111100	22
<b>Class B</b>		
255.255.0.0 (Default)	11111111 11111111 00000000 00000000	0
255.255.192.0	11111111 11111111 11000000 00000000	2
.....	.....	.
255.255.255.252	11111111 11111111 11111111 11111100	14
<b>Class C</b>		
255.255.255.0 (Default)	11111111 11111111 11111111 00000000	0
255.255.255.192	11111111 11111111 11111111 11000000	2
.....	.....	.
255.255.255.254	11111111 11111111 11111111 11111100	6

To determine the number of valid hosts ID's remaining after subnetting, use the following equation:  $2^n - 2$ , where n is the number of octet digits left after the subnet mask.

## Appendix D

## ASCII Chart

ASCII Char	Dec	Hex	Binary No Parity	ASCII Char	Dec	Hex	Binary No parity
NUL	00	00	00000000	@	64	40	01000000
SOH	01	01	00000001	A	65	41	01000000
STX	02	02	00000010	B	66	42	01000010
ETX	03	03	00000011	C	67	43	01000011
EOT	04	04	00000100	D	68	44	01000100
ENQ	05	05	00000101	E	69	45	01000101
ACK	06	06	00000110	F	70	46	01000110
BEL	07	07	00000111	G	71	47	01000111
BS	08	08	00001000	H	72	48	01001000
HT	09	09	00001001	I	73	49	01001001
LF	10	0A	00001010	J	74	4A	01001010
VT	11	0B	00001011	K	75	4B	01001011
FF	12	0C	00001100	L	76	4C	01001100
CR	13	0D	00001101	M	77	4D	01001101
SO	14	0E	00001110	N	78	4E	01001110
SI	15	0F	00001111	O	79	4F	01001111
DLE	16	10	00010000	P	80	50	01010000
DC1	17	11	00010001	Q	81	51	01010001
DC2	18	12	00010010	R	82	52	01010010
DC3	19	13	00010011	S	83	53	01010011
DC4	20	14	00010100	T	84	54	01010100
NAK	21	15	00010101	U	85	55	01010101
SYN	22	16	00010110	V	86	56	01010110
ETB	23	17	00010111	W	87	57	01010111
CAN	24	18	00011000	X	88	58	01011000
EM	25	19	00011001	Y	89	59	01011001
SUB	26	1A	00011010	Z	90	5A	01011010
ESC	27	1B	00011011	[	91	5B	01011011
FS	28	1C	00011100	\	92	5C	01011100
GS	29	1D	00011101	]	93	5D	01011101
RS	30	1E	00011110	^	94	5E	01011110
US	31	1F	00011111	_	95	5F	01011111
SP	32	20	00100000	`	96	60	01100000
!	33	21	00100001	a	97	61	01100001
"	34	22	00100010	b	98	62	01100010
#	35	23	00100011	c	99	63	01100011
\$	36	24	00100100	d	100	64	01100100
%	37	25	00100101	e	101	65	01100101
&	38	26	00100110	f	102	66	01100110
'	39	27	00100111	g	103	67	01100111
(	40	28	00101000	h	104	68	01101000
)	41	29	00101001	i	105	69	01101001
*	42	2A	00101010	j	106	6A	01101010
+	43	2B	00101011	k	107	6B	01101011
,	44	2C	00101100	l	108	6C	01101100
-	45	2D	00101101	m	109	6D	01101101
.	46	2E	00101110	n	110	6E	01101110

## Appendix D

## ASCII Chart Continuation

/	47	2F	00101111	o	111	6F	01101111
0	48	30	00110000	p	112	70	01110000
1	49	31	00110001	q	113	71	01110001
2	50	32	00110010	r	114	72	01110010
3	51	33	00110011	s	115	73	01110011
4	52	34	00110100	t	116	74	01110100
5	53	35	00110101	u	117	75	01110101
6	54	36	00110110	v	118	76	01110110
7	55	37	00110111	w	119	77	01110111
8	56	38	00111000	x	120	78	01111000
9	57	39	00111001	y	121	79	01111001
:	58	3A	00111010	z	122	7A	01111010
;	59	3B	00111011	{	123	7B	01111011
<	60	3C	00111100		124	7C	01111100
=	61	3D	00111101	}	125	7D	01111101
>	62	3E	00111110	~	126	7E	01111110
?	63	3F	00111111	DEL	127	7F	01111111

## ASCII Control Codes

ASCII Char	Dec	Hex	Ctrl Key Equiv.	Definition	ASCII Char	Dec	Hex	Ctrl Key Equiv.	Definition
NUL	00	00	Ctrl @	Null Character	DC1	17	11	Ctrl Q	Data Control 1 - XON
SOH	01	01	Ctrl A	Start of Header	DC2	18	12	Ctrl R	Data Control 2
STX	02	02	Ctrl B	Start of Text	DC3	19	13	Ctrl S	Data Control 3 - XOFF
ETX	03	03	Ctrl C	End of Text	DC4	20	14	Ctrl T	Data Control 4
EOT	04	04	Ctrl D	End of Transmission	NAK	21	15	Ctrl U	Negative Acknowledge
ENQ	05	05	Ctrl E	Inquiry	SYN	22	16	Ctrl V	Synchronous Idle
ACK	06	06	Ctrl F	Acknowledge	ETB	23	17	Ctrl W	End of Trans Block
BEL	07	07	Ctrl G	Bell	CAN	24	18	Ctrl X	Cancel
BS	08	08	Ctrl H	Back Space	EM	25	19	Ctrl Y	End of Medium
HT	09	09	Ctrl I	Horizontal Tabulation	SUB	26	1A	Ctrl Z	Substitute
LF	10	0A	Ctrl J	Line Feed	ESC	27	1B	Ctrl [	Escape
VT	11	0B	Ctrl K	Vertical Tabulation	FS	28	1C	Ctrl \	File Separator
FF	12	0C	Ctrl L	Form Feed	GS	29	1D	Ctrl ]	Group Separator
CR	13	0D	Ctrl M	Carriage Return	RS	30	1E	Ctrl	Record Separator
SO	14	0E	Ctrl N	Shift Out	US	31	1F	Ctrl _	Unit Separator
SI	15	0F	Ctrl O	Shift In	SP	32	20		Space
DLE	16	10	Ctrl P	Data Link Escape					



## Appendix E

## iLog Error Messages

The iLog Software can only be used with our brand of instruments.

**Table E-1 iLog Error Messages**

<b>Error #</b>	<b>Description</b>	<b>Note</b>
-8003	User stopped logging readings.	
-10005	Failed to find the iServer.	Ethernet cable is disconnected, iServer is powered off, connections across the firewall require longer "connection to socket time out" setting.
-10006	Windows socket was closed.	
-10007	Windows socket error.	Wrong IP or wrong Port number was used.
-10008	The iServer failed to respond to a request.	Wrong IP or wrong Port number was used.
-10011	Response came empty.	No data was sent.
-10012	Device responded with "Serial Time Out" string.	Possibly the iLog is configured for wrong product model.
-10014	Terminal Server Mode when the Port is 1000.	Try Port 2000 in iLog configuration.
-15100	Error on obtaining the temperature reading.	Possibly the iLog is configured for wrong product model.

## **PART 7**

### **APPROVALS INFORMATION**

#### **7.1 APPROVAL**

This product conforms to the EMC directive 89/336/EEC amended by 93/68/EEC, and with the European Low Voltage Directive 72/23/EEC.

##### **Electrical Safety EN61010-1:2001**

Safety requirements for electrical equipment for measurement, control and laboratory.

##### **Basic Insulation**

##### **Pollution Degree 2**

##### **Dielectric withstand Test per 1 min**

- Input Power to Ethernet Output: 1500 Vac
- Input Power to I/O lines (-W, DB9): none
- Input Power to I/O lines (DIN Rail): 500 Vac

##### **Measurement Category I**

*Category I are measurements performed on circuits not directly connected to the Mains Supply (power).*

##### **Transients Overvoltage Surge (1.2/50uS Pulse)**

- Input Power: 500 V Transients Overvoltage
- Ethernet: 1500 V Transients Overvoltage

**Note:** *The ac/dc power adapter must have Safety Qualified Agency Approvals for with Double Insulation rating.*

*The ac/dc power adapter is 5Vdc.*

*The minimum output current rating is 600mA.*

##### **EMC EN61000-6-1:2001 (Immunity) and EN61000-6-3:2001 (Emissions)**

Immunity requirements for residential, commercial and light-industrial environments

- EMC Emissions Table 1, Class B
- EMC Immunity Table 1: Enclosure  
Table 2: Signal Lines Ports  
Table 3: Dc input/Dc output Ports

##### **EMC EN61326:2006**

Immunity and Emissions requirements for electrical equipment for measurement, control and laboratory.

- EMC Emissions Table 4, Class B of EN61326
- EMC Immunity Table 1 of EN61326

**Note:** *I/O lines (DB9) require shielded cables and these cables must be located on conductive cable trays or in conduits. Furthermore, the length of these cables should not exceed 30 meters*



Refer to the EMC and Safety installation considerations (Guidelines) of this manual for additional information.

#### **7.2 FCC**

This device complies with Part 15, Subpart B, Class B of the FCC rules.



## WARRANTY/DISCLAIMER

OMEGA ENGINEERING, INC. warrants this unit to be free of defects in materials and workmanship for a period of **one (1) year** from the date of purchase. In addition to OMEGA's standard warranty period, OMEGA Engineering will extend the warranty period for **one (1) additional year** if the warranty card enclosed with each instrument is returned to OMEGA.

If the unit malfunctions, it must be returned to the factory for evaluation. OMEGA's Customer Service Department will issue an Authorized Return (AR) number immediately upon phone or written request. Upon examination by OMEGA, if the unit is found to be defective, it will be repaired or replaced at no charge. OMEGA's WARRANTY does not apply to defects resulting from any action of the purchaser, including but not limited to mishandling, improper interfacing, operation outside of design limits, improper repair, or unauthorized modification. This WARRANTY is VOID if the unit shows evidence of having been tampered with or shows evidence of having been damaged as a result of excessive corrosion; or current, heat, moisture or vibration; improper specification; misapplication; misuse or other operating conditions outside of OMEGA's control. Components which wear are not warranted, including but not limited to contact points, fuses, and triacs.

**OMEGA is pleased to offer suggestions on the use of its various products. However, OMEGA neither assumes responsibility for any omissions or errors nor assumes liability for any damages that result from the use of its products in accordance with information provided by OMEGA, either verbal or written. OMEGA warrants only that the parts manufactured by it will be as specified and free of defects. OMEGA MAKES NO OTHER WARRANTIES OR REPRESENTATIONS OF ANY KIND WHATSOEVER, EXPRESS OR IMPLIED, EXCEPT THAT OF TITLE, AND ALL IMPLIED WARRANTIES INCLUDING ANY WARRANTY OF MERCHANTABILITY AND FITNESS FOR A PARTICULAR PURPOSE ARE HEREBY DISCLAIMED. LIMITATION OF LIABILITY: The remedies of purchaser set forth herein are exclusive, and the total liability of OMEGA with respect to this order, whether based on contract, warranty, negligence, indemnification, strict liability or otherwise, shall not exceed the purchase price of the component upon which liability is based. In no event shall OMEGA be liable for consequential, incidental or special damages.**

CONDITIONS: Equipment sold by OMEGA is not intended to be used, nor shall it be used: (1) as a "Basic Component" under 10 CFR 21 (NRC), used in or with any nuclear installation or activity; or (2) in medical applications or used on humans. Should any Product(s) be used in or with any nuclear installation or activity, medical application, used on humans, or misused in any way, OMEGA assumes no responsibility as set forth in our basic WARRANTY/DISCLAIMER language, and, additionally, purchaser will indemnify OMEGA and hold OMEGA harmless from any liability or damage whatsoever arising out of the use of the Product(s) in such a manner.

## RETURN REQUESTS/INQUIRIES

Direct all warranty and repair requests/inquiries to the OMEGA Customer Service Department. **BEFORE RETURNING ANY PRODUCT(S) TO OMEGA, PURCHASER MUST OBTAIN AN AUTHORIZED RETURN (AR) NUMBER FROM OMEGA'S CUSTOMER SERVICE DEPARTMENT (IN ORDER TO AVOID PROCESSING DELAYS).** The assigned AR number should then be marked on the outside of the return package and on any correspondence.

The purchaser is responsible for shipping charges, freight, insurance and proper packaging to prevent breakage in transit.

FOR WARRANTY RETURNS, please have the following information available BEFORE contacting OMEGA:

1. Purchase Order number under which the product was PURCHASED,
2. Model and serial number of the product under warranty, and
3. Repair instructions and/or specific problems relative to the product.

FOR NON-WARRANTY REPAIRS, consult OMEGA for current repair charges. Have the following information available BEFORE contacting OMEGA:

1. Purchase Order number to cover the COST of the repair,
2. Model and serial number of product, and
3. Repair instructions and/or specific problems relative to the product.

OMEGA's policy is to make running changes, not model changes, whenever an improvement is possible. This affords our customers the latest in technology and engineering.

© Copyright 2013 OMEGA ENGINEERING, INC. All rights reserved. This document may not be copied, photocopied, reproduced, translated, or reduced to any electronic medium or machine-readable form, in whole or in part, without the prior written consent of OMEGA ENGINEERING, INC.

**TRADEMARK NOTICE:** ®, *omega.com*®,  OMEGA®, and  are Trademarks of OMEGA ENGINEERING, INC.

**PATENT NOTICE:** This product is covered by one or more of the following patents: U.S. Pat. No. Des. 336,895; 5,274,577 / CANADA 2052599; 2052600 / ITALY 1249456; 1250938 / FRANCE BREVET No. 91 12756 / SPAIN 2039150; 2048066 / UK PATENT No. GB2 249 837; GB2 248 954 / GERMANY DE 41 34398 C2. Other US and International Patents pending or applied for.

# Where Do I Find Everything I Need for Process Measurement and Control? **OMEGA...Of Course!** *Shop on line at [omega.com](http://omega.com)*

## **TEMPERATURE**

- Thermocouple, RTD & Thermistor Probes, Connectors, Panels & Assemblies
- Wire: Thermocouple, RTD & Thermistor
- Calibrators & Ice Point References
- Recorders, Controllers & Process Monitors
- Infrared Pyrometers

## **PRESSURE, STRAIN AND FORCE**

- Transducers & Strain Gauges
- Load Cells & Pressure Gauges
- Displacement Transducers
- Instrumentation & Accessories

## **FLOW/LEVEL**

- Rotameters, Gas Mass Flowmeters & Flow Computers
- Air Velocity Indicators
- Turbine/Paddlewheel Systems
- Totalizers & Batch Controllers

## **pH/CONDUCTIVITY**

- pH Electrodes, Testers & Accessories
- Benchtop/Laboratory Meters
- Controllers, Calibrators, Simulators & Pumps
- Industrial pH & Conductivity Equipment

## **DATA ACQUISITION**

- Data Acquisition & Engineering Software
- Communications-Based Acquisition Systems
- Plug-in Cards for Apple, IBM & Compatibles
- Datalogging Systems
- Recorders, Printers & Plotters

## **HEATERS**

- Heating Cable
- Cartridge & Strip Heaters
- Immersion & Band Heaters
- Flexible Heaters
- Laboratory Heaters

## **ENVIRONMENTAL MONITORING AND CONTROL**

- Metering & Control Instrumentation
- Refractometers
- Pumps & Tubing
- Air, Soil & Water Monitors
- Industrial Water & Wastewater Treatment
- pH, Conductivity & Dissolved Oxygen Instruments