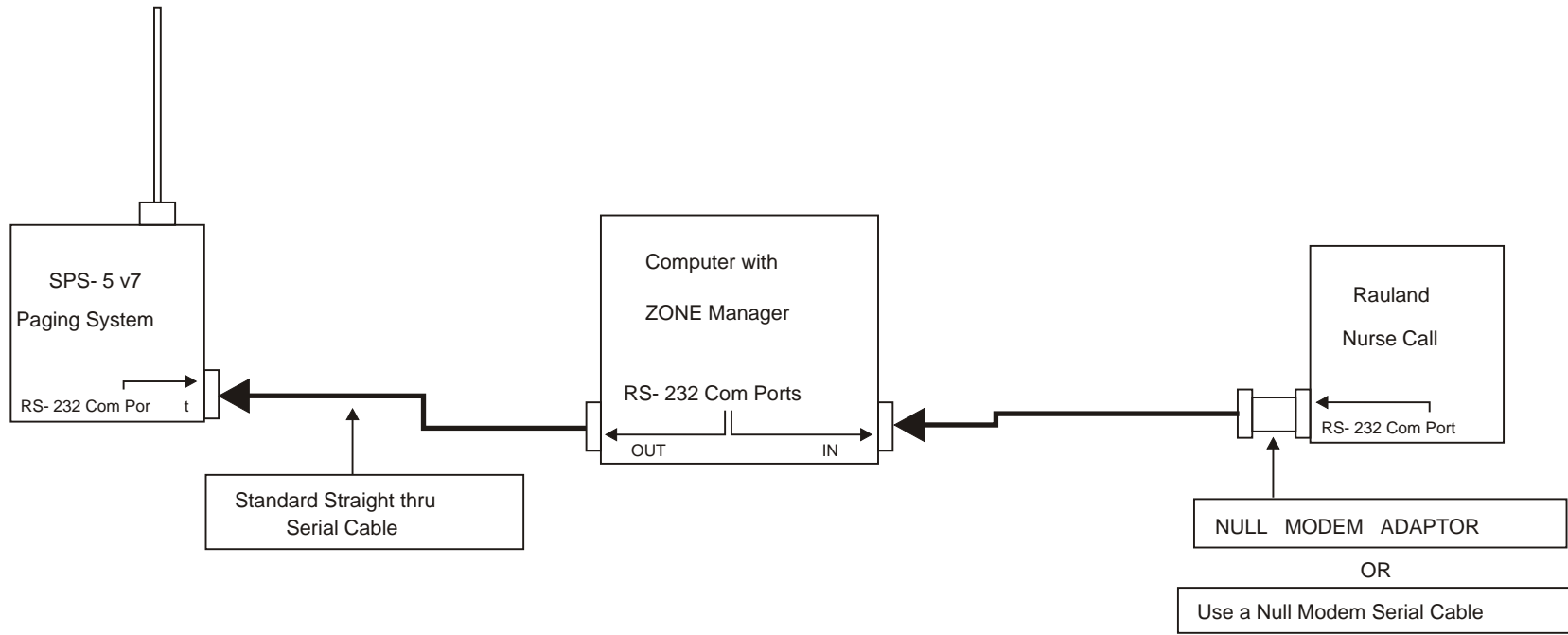


SPS- 5 v7 with Rauland Nurse Call Using ZONE Manager Setup Diagram



TOLERANCES DECIMAL +/- .015 HOLES +/- .002 ANGLES +/- ½ °		MATERIAL	FINISH NONE	DATE 7-29-05	
		TITLE ZONE Manager with Rauland Nurse Call Setup Diagram			DWN BY Bob Clyburn
		WAVEWARE TECHNOLOGIES DALLAS, TEXAS 972-479-1702			APP.
SCALE None	FIRST USED	DWG. NUMBER		REV. 1	