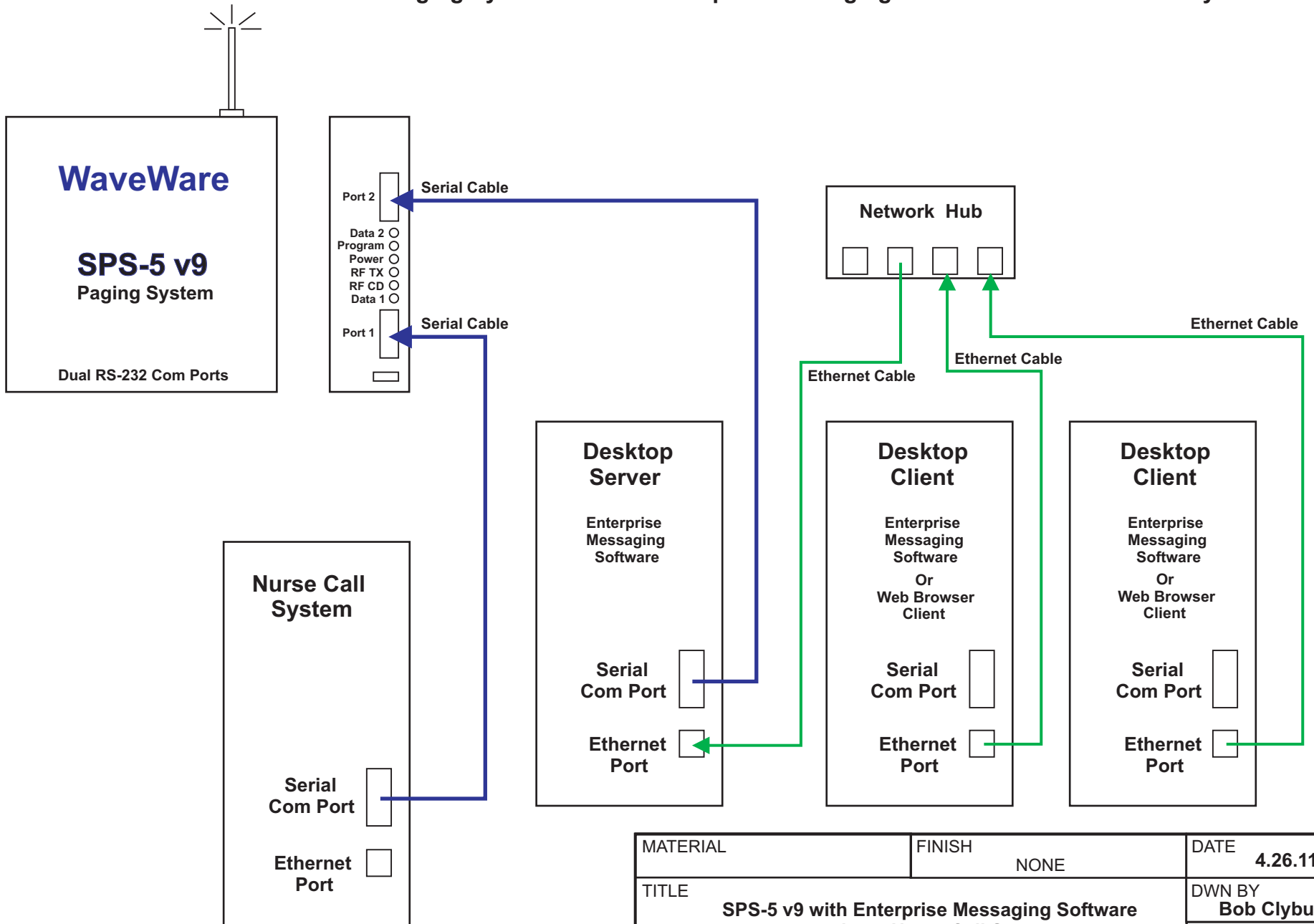


WaveWare SPS-5 v9 Dual Com Port Paging System with our Enterprise Messaging Software and a Nurse Call System



MATERIAL	FINISH NONE	DATE 4.26.11
TITLE SPS-5 v9 with Enterprise Messaging Software and one Nurse Call System		DWN BY Bob Clyburn
		APP.
WAVEWARE TECHNOLOGIES DALLAS, TEXAS 972-479-1702	DWG. NUMBER	REV. 1