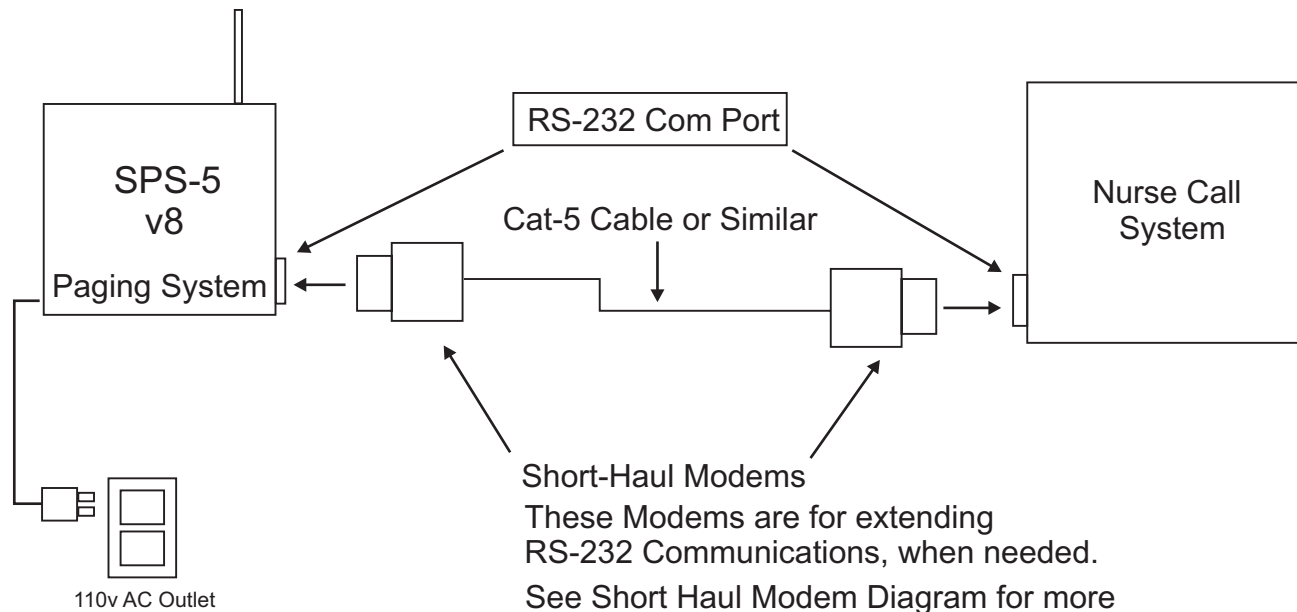


SPS-5 v8 with Nurse Call Basic Setup with Short-Haul Modems Diagram



Short-Haul Modems
 These Modems are for extending RS-232 Communications, when needed.
 See Short Haul Modem Diagram for more Information for installation of Modems.

We do Not Supply the Cat-5 Shielded Cable.

MATERIAL	FINISH NONE	DATE 9-25-09
TITLE SPS-5 v8 with Nurse Call Basic Setup with Short-Haul Modems Diagram		DWN BY Bob Clyburn
WAVEWARE TECHNOLOGIES DALLAS, TEXAS 972-479-1702		APP. REV. 1
DWG. NUMBER		