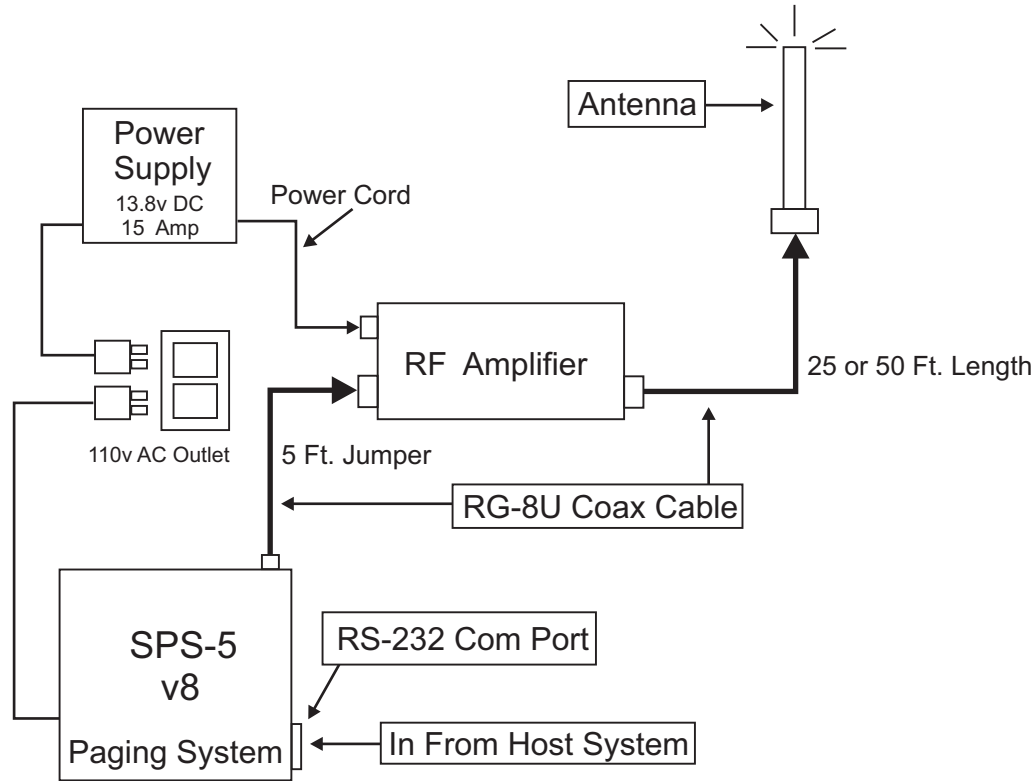


SPS-5 v8 Paging System with 25 or 50 watt RF Amp Kit Diagram



MATERIAL	FINISH NONE	DATE 9-25-09
TITLE SPS-5 v8 Paging System with 25 or 50 watt RF Amp Kit Diagram		DWN BY Bob Clyburn APP.
WAVEWARE TECHNOLOGIES DALLAS, TEXAS 972-479-1702	DWG. NUMBER	REV. 1