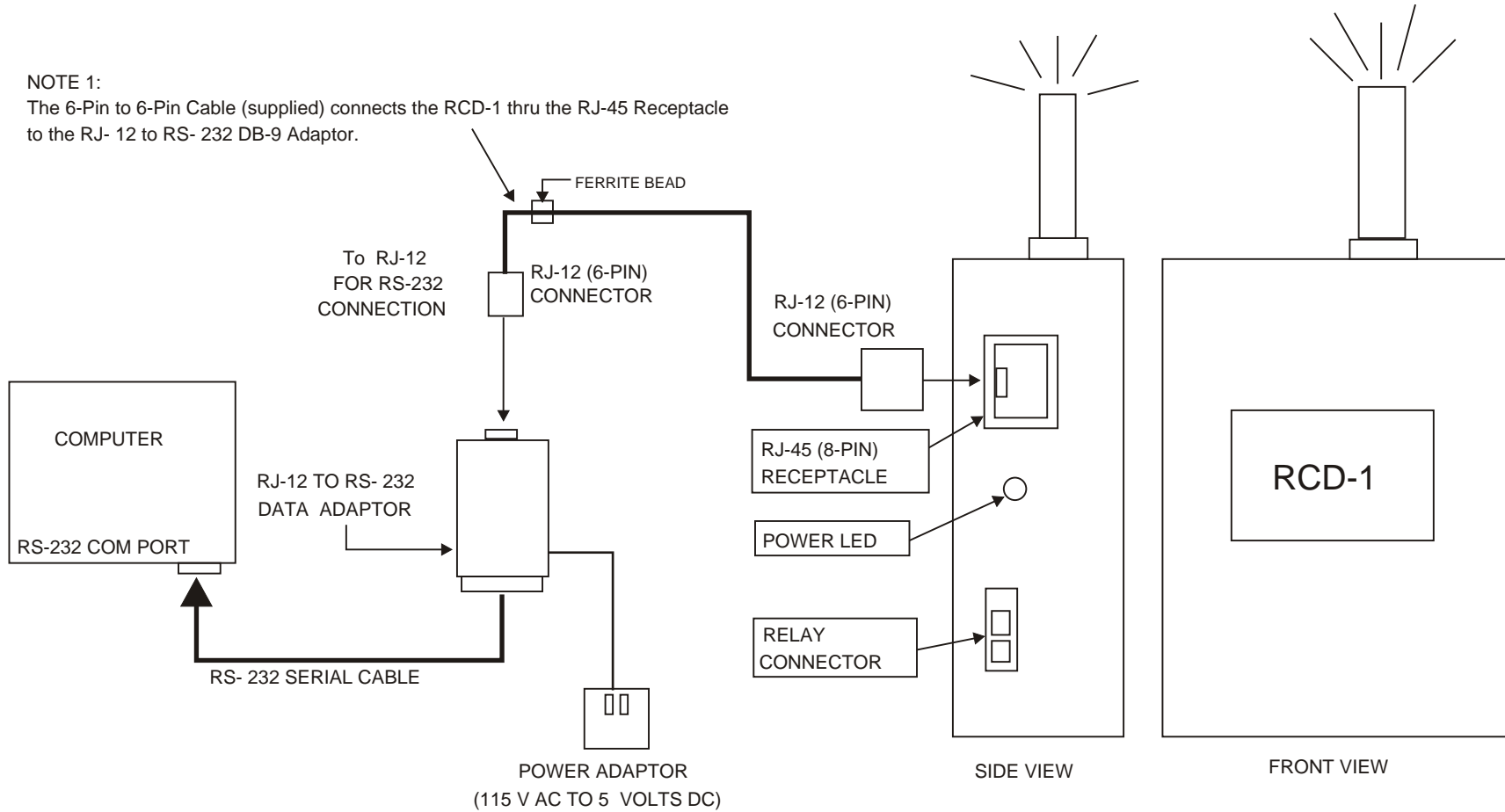


# RCD-1 TO COMPUTER CONNECTION DIAGRAM

**NOTE 1:**

The 6-Pin to 6-Pin Cable (supplied) connects the RCD-1 thru the RJ-45 Receptacle to the RJ- 12 to RS- 232 DB-9 Adaptor.



**Note 2:**

The Green Power LED on the RCD-1 unit shows steady for power and shows that the page has been received, when it flashes.

<b>TOLERANCES</b> DECIMAL +/- .015 HOLES +/- .002 ANGLES +/- 1/2 °		MATERIAL	FINISH NONE	DATE 01-11-05
		TITLE DIAGRAM FOR CONNECTION TO: COMPUTER TO RCD-1		DWN BY BOB CLYBURN APP.
SCALE None	FIRST USED	WAVEWARE TECHNOLOGIES DALLAS, TEXAS 972-479-1702	DWG. NUMBER	REV. 1