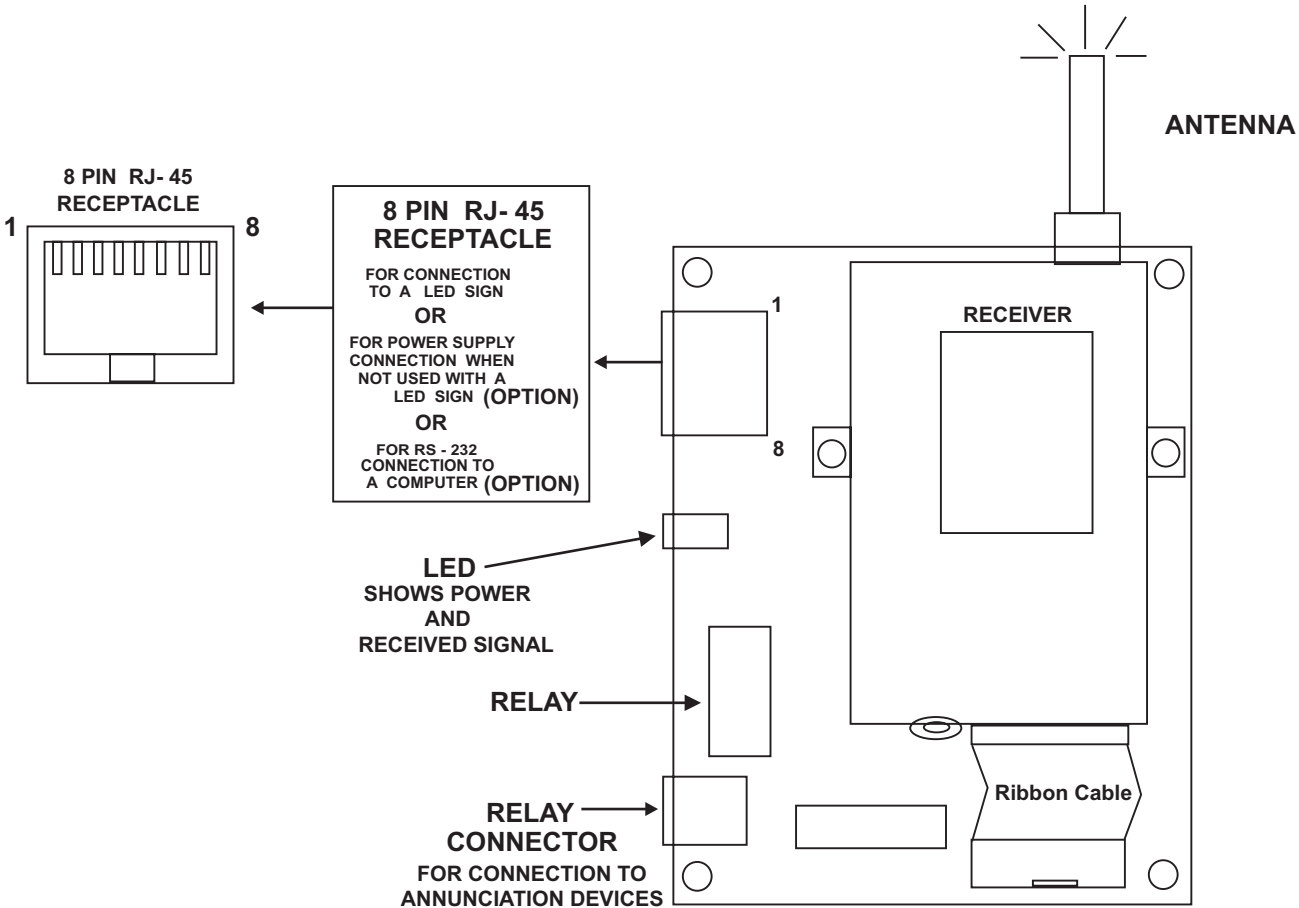


# RCD-1

## REMOTE CONTROL DATA MODULE

**RJ- 45 PIN OUT**

- (Transmits Data to the PC)
- PIN 1: PROG TXData To PC**
- PIN 2: NEG ( - )**
- PIN 3: Not Used**
- PIN 4: RS-232 Data OUT to Sign or PC Com Port**
- PIN 5: Not Used**
- PIN 6: Not Used**
- PIN 7: POS ( + )**
- PIN 8: PROG RXData From PC**  
(Receives Data from the PC)



**NOTE:**  
**Special Adaptor is needed for Programming the RCD-1**  
**Contact WaveWare for the Optional Programming Kit (Includes Software) P/N= 0604- 1006**

This Applies to the Power Transformer that WaveWare Supplies.  <b>POWER SUPPLY NOTES:</b> ( RJ - 12 Power Connector ) <b>PIN 1: NEGATIVE (-)</b> <b>PIN 6: POSITVE (+)</b> <b>5 VOLT DC 2 AMP</b>	<b>TOLERANCES</b>	MATERIAL	FINISH NONE	DATE 02-01-08	
	DECIMAL +/- .015	<b>RCD-1 Connector Information Diagram</b>			DWN BY BOB CLYBURN
	HOLES +/- .002				WAVEWARE TECHNOLOGIES
ANGLES +/- 1/2°	SCALE None	FIRST USED	DALLAS, TEXAS 972-479-1702	2	