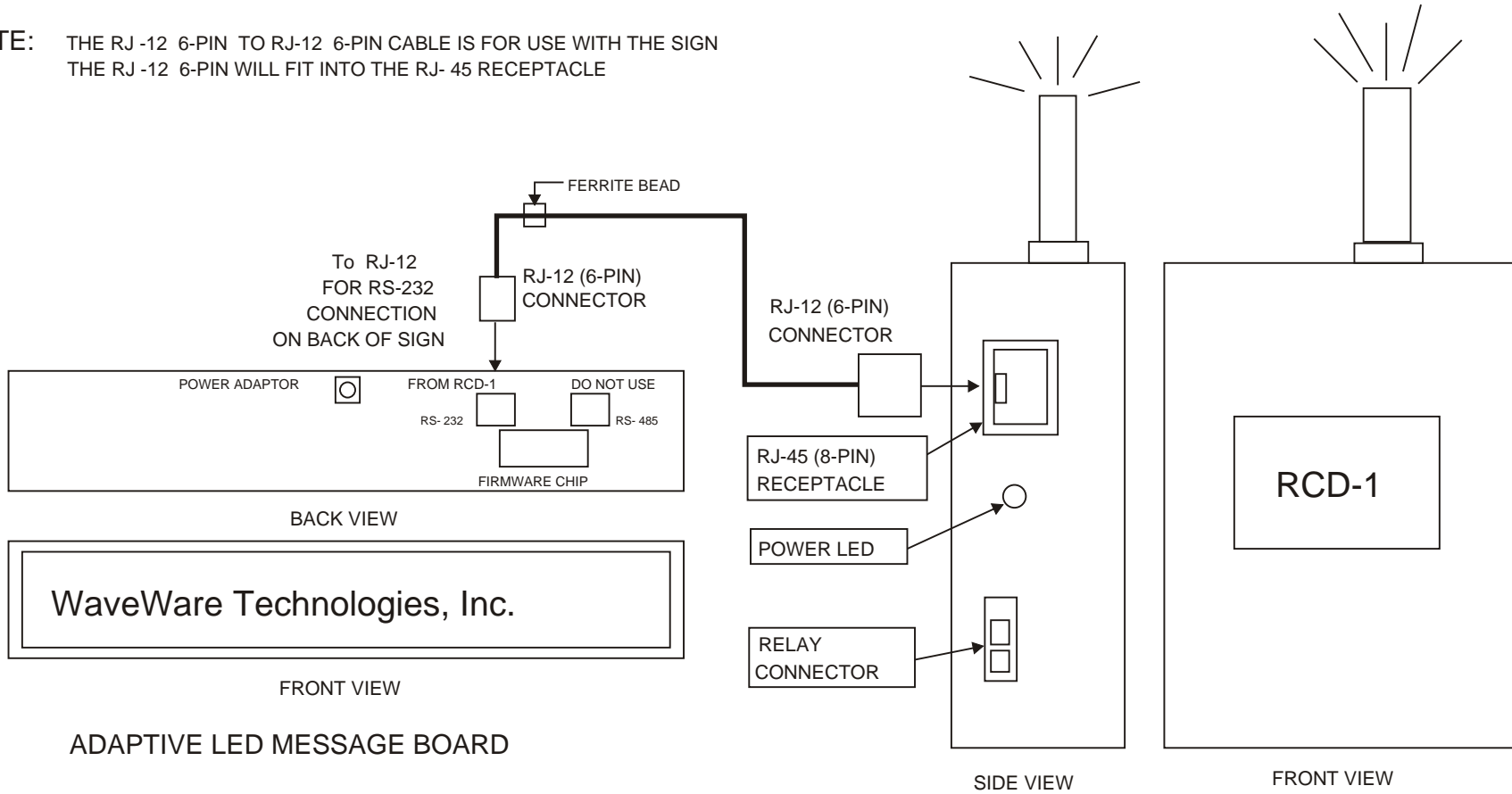


RCD-1 TO ADAPTIVE DISPLAY CONNECTION DIAGRAM

NOTE: THE RJ-12 6-PIN TO RJ-12 6-PIN CABLE IS FOR USE WITH THE SIGN
THE RJ-12 6-PIN WILL FIT INTO THE RJ-45 RECEPTACLE



TOLERANCES DECIMAL +/- .015 HOLES +/- .002 ANGLES +/- 1/2 °		MATERIAL	FINISH NONE	DATE 01-11-05
		TITLE DIAGRAM FOR CONNECTION TO: ADAPTIVE DISPLAY TO RCD-1		DWN BY BOB CLYBURN APP.
SCALE None	FIRST USED	WAVEWARE TECHNOLOGIES DALLAS, TEXAS 972-479-1702		DWG. NUMBER REV. 1