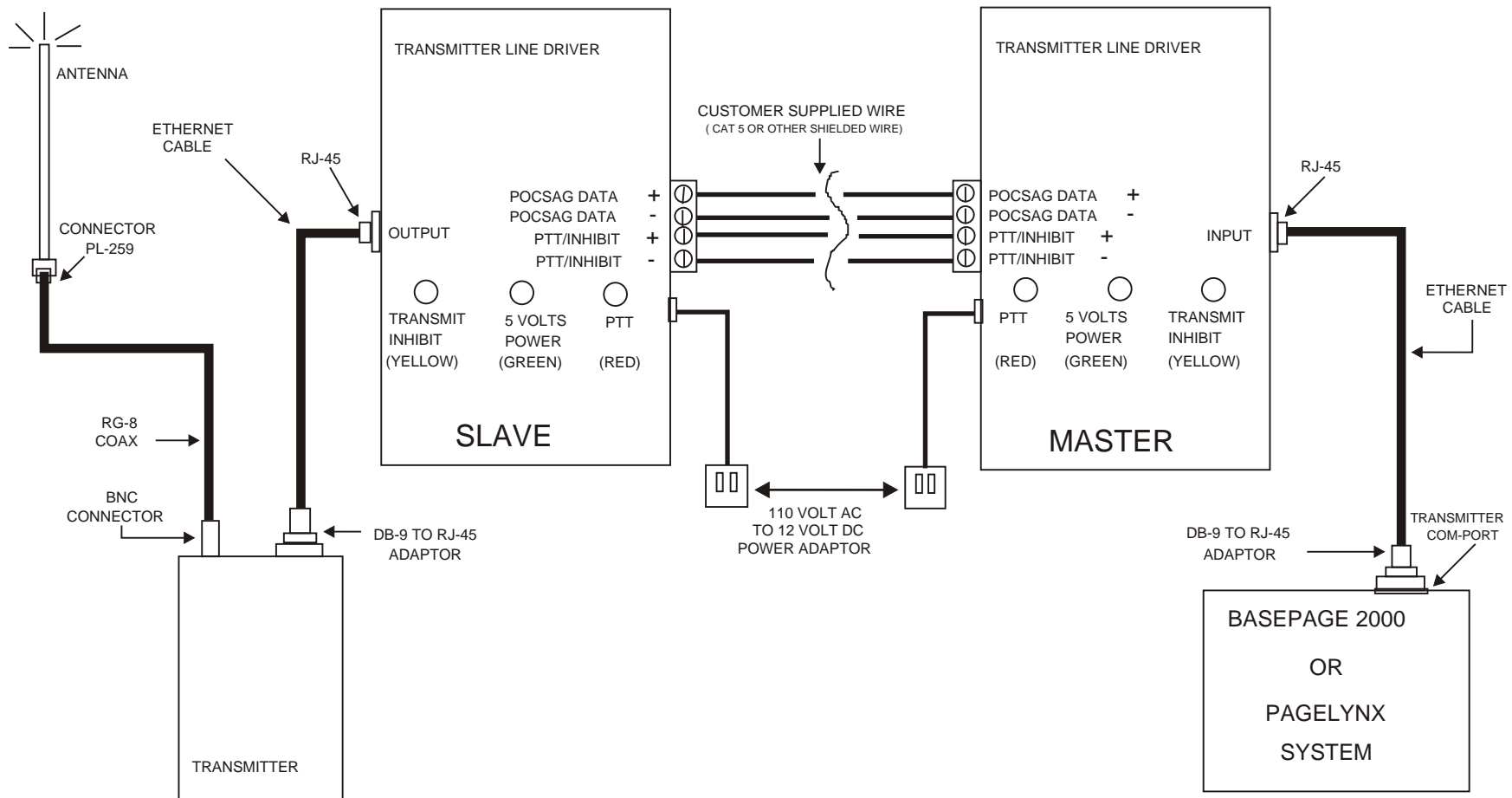


LINE DRIVER KIT INSTALLATION DIAGRAM



TOLERANCES DECIMAL +/- .015 HOLES +/- .002 ANGLES +/- 1/2 °		MATERIAL	FINISH NONE	DATE 1-23-04
		TITLE LINEDRIVER KIT INSTALLATION DIAGRAM		
SCALE None	FIRST USED	WAVEWARE TECHNOLOGIES DALLAS, TEXAS 972-479-1702	DWG. NUMBER	REV. 1
				APP.